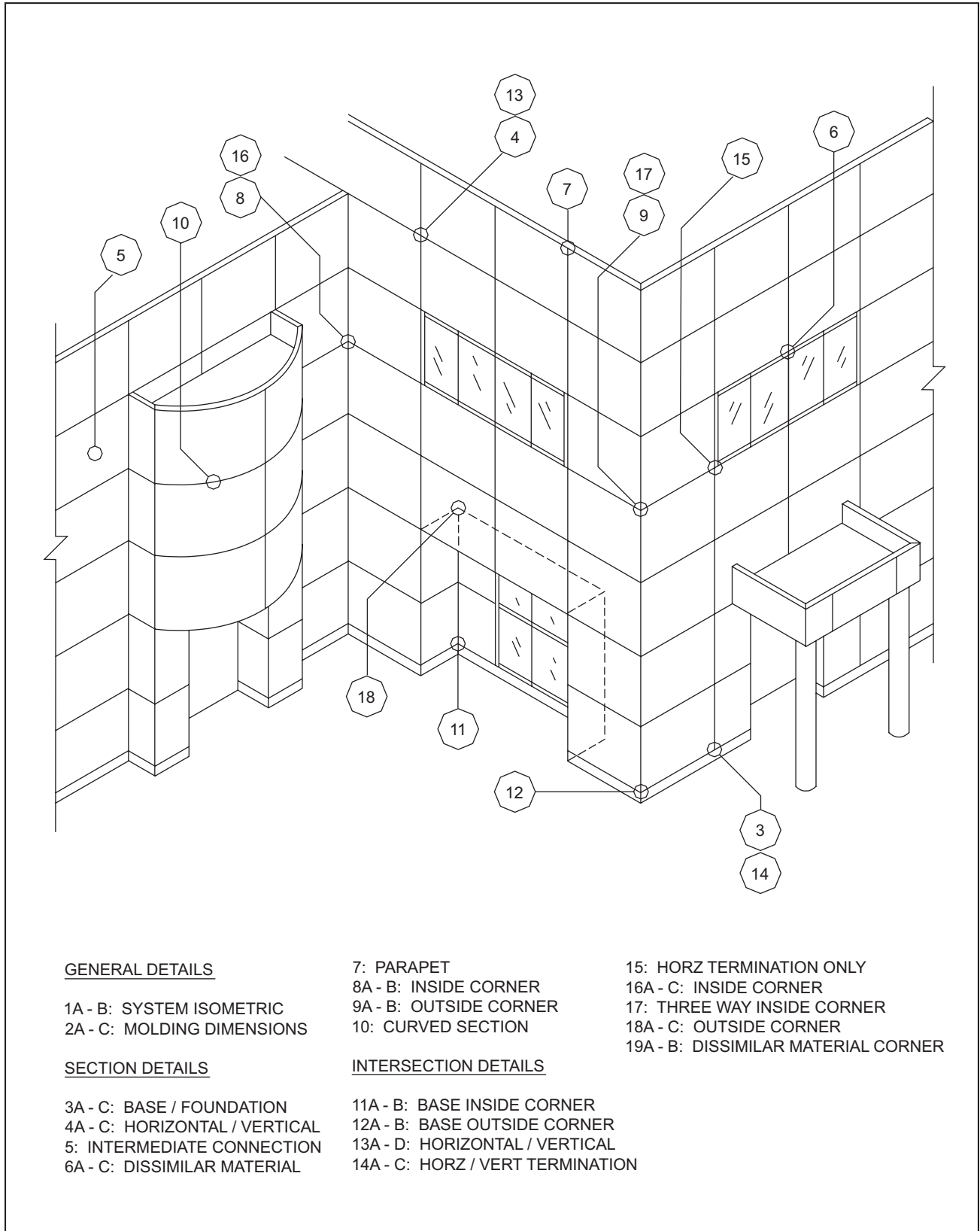


Typical Details: Two Piece Molding System



GENERAL DETAILS

- 1A - B: SYSTEM ISOMETRIC
- 2A - C: MOLDING DIMENSIONS

SECTION DETAILS

- 3A - C: BASE / FOUNDATION
- 4A - C: HORIZONTAL / VERTICAL
- 5: INTERMEDIATE CONNECTION
- 6A - C: DISSIMILAR MATERIAL

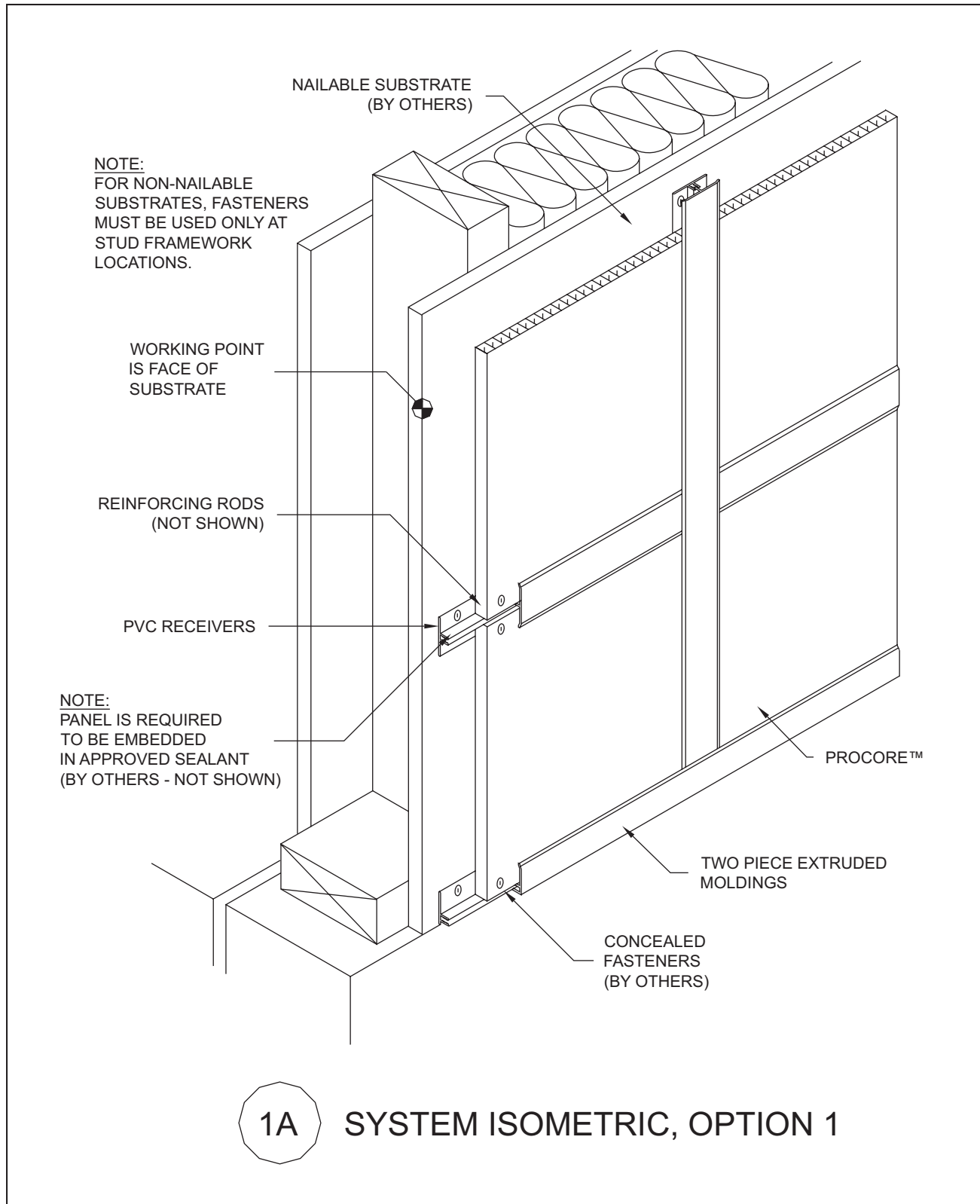
INTERSECTION DETAILS

- 7: PARAPET
- 8A - B: INSIDE CORNER
- 9A - B: OUTSIDE CORNER
- 10: CURVED SECTION
- 11A - B: BASE INSIDE CORNER
- 12A - B: BASE OUTSIDE CORNER
- 13A - D: HORIZONTAL / VERTICAL
- 14A - C: HORZ / VERT TERMINATION

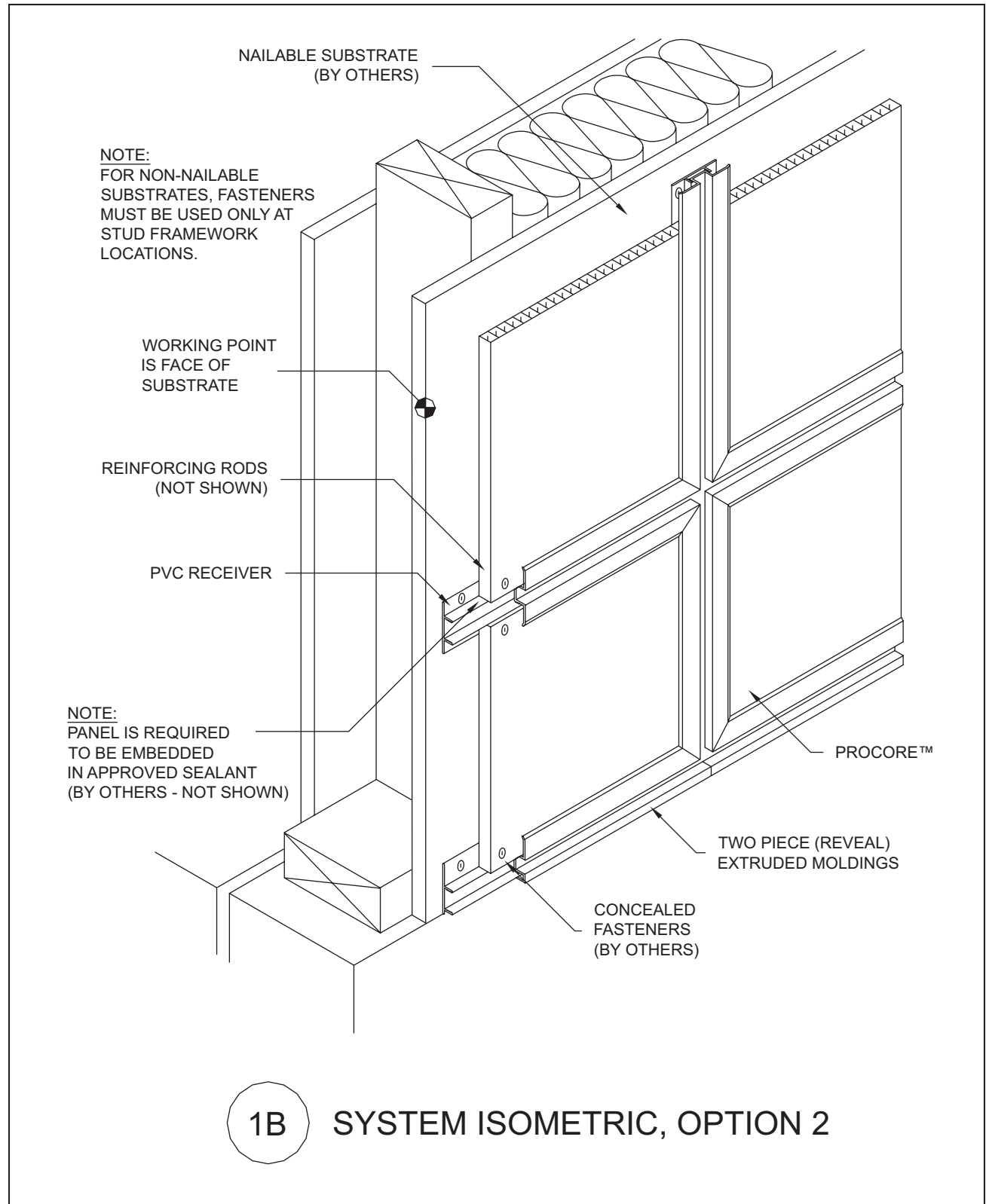
TERMINATION DETAILS

- 15: HORZ TERMINATION ONLY
- 16A - C: INSIDE CORNER
- 17: THREE WAY INSIDE CORNER
- 18A - C: OUTSIDE CORNER
- 19A - B: DISSIMILAR MATERIAL CORNER

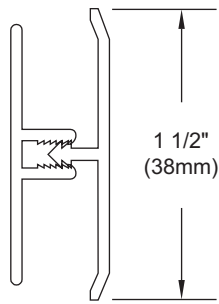
©2003 Citadel Architectural Products, Inc. An ISO 9001:2000 Registered Company.
 ProCore™ is a registered trademark of Citadel Architectural Products, Inc.
 Printed In The U.S.A. Form # 7.03.TD2.B Rev. (11/06) Supersedes (06/03)



<p>DRAWING NAME: PRO 2PC 1A System Isometric Option 1.dwg</p>		<p>Note: This detail represents the latest recommendations from Citadel Architectural Products, Inc. It is presented in good faith and is subject to change without notice. Citadel Architectural Products, Inc. accepts no responsibility for the end use of this detail. For conditions not shown, consult our Technical Staff at (800) 446-8828 for review of specific details.</p>
<p>SYSTEM: Two Piece Moldings</p>	<p>REVISED: 11/06</p>	

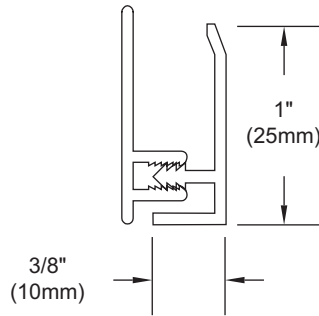


<p>Note: This detail represents the latest recommendations from Citadel Architectural Products, Inc. It is presented in good faith and is subject to change without notice. Citadel Architectural Products, Inc. accepts no responsibility for the end use of this detail. For conditions not shown, consult our Technical Staff at (800) 446-8828 for review of specific details.</p>	<p>DRAWING NAME: PRO 2PC 1B System Isometric Option 2.dwg</p>		
	<p>SYSTEM: Two Piece Moldings</p>	<p>REVISED: 11/06</p>	<p>SCALE: n/a</p>



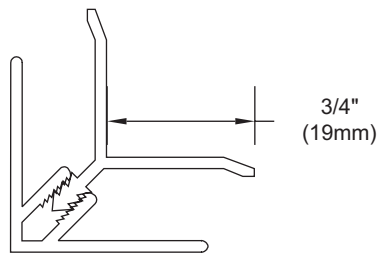
ST-601MX
HORZ / VERT

R20-401
PVC RECEIVER



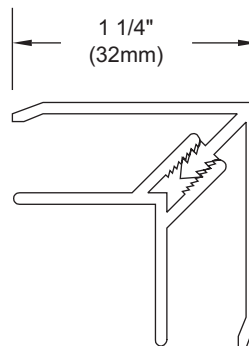
ST-603MX
PERIMETER J

R20-403
PVC RECEIVER



ST-605MX
INSIDE CORNER

R20-404
PVC RECEIVER



ST-607MX
OUTSIDE CORNER

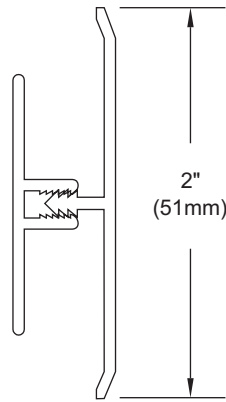
R20-405
PVC RECEIVER



2A MOLDING DIMENSIONS, PAGE 1

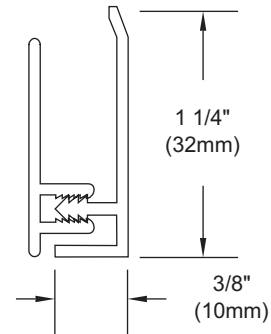
DRAWING NAME: PRO 2PC 2A Molding Dimensions Page 1.dwg		
SYSTEM: Two Piece Moldings	REVISED: 11/06	SCALE: 1:1

Note: This detail represents the latest recommendations from Citadel Architectural Products, Inc. It is presented in good faith and is subject to change without notice. Citadel Architectural Products, Inc. accepts no responsibility for the end use of this detail. For conditions not shown, consult our Technical Staff at (800) 446-8828 for review of specific details.



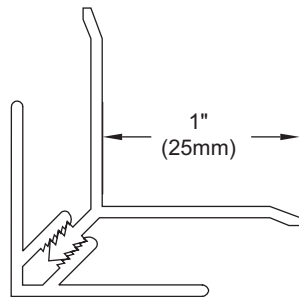
ST-201MX
HORZ / VERT
(EXTENDED FACE)

R20-401
PVC RECEIVER



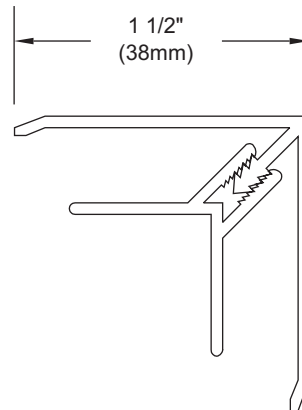
ST-203MX
PERIMETER J
(EXTENDED FACE)

R20-403
PVC RECEIVER



ST-205MX
INSIDE CORNER
(EXTENDED FACE)

R20-404
PVC RECEIVER



ST-207MX
OUTSIDE CORNER
(EXTENDED FACE)

R20-405
PVC RECEIVER



MOLDING DIMENSIONS, PAGE 2

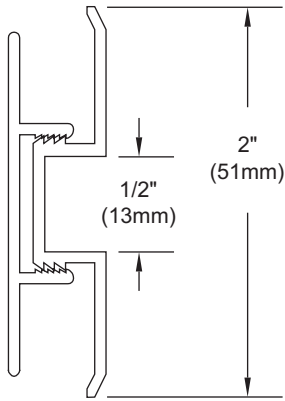
Note: This detail represents the latest recommendations from Citadel Architectural Products, Inc. It is presented in good faith and is subject to change without notice. Citadel Architectural Products, Inc. accepts no responsibility for the end use of this detail. For conditions not shown, consult our Technical Staff at (800) 446-8828 for review of specific details.

DRAWING NAME:
PRO 2PC 2B Molding Dimensions Page 2.dwg

SYSTEM:
Two Piece Moldings

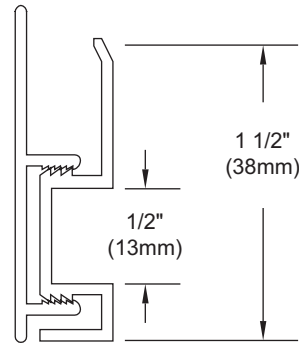
REVISED:
11/06

SCALE:
1:1



SR-701MX
HORZ / VERT

R20-406
PVC RECEIVER



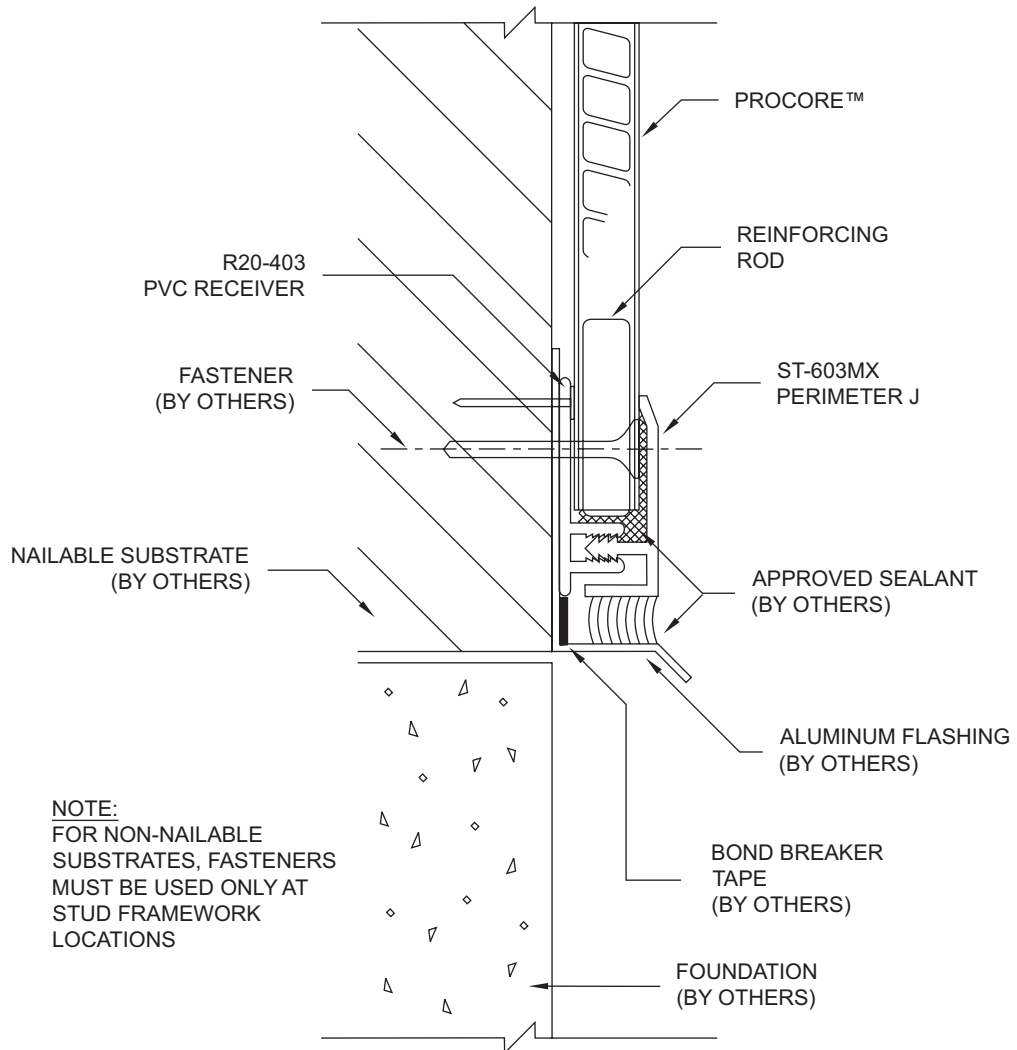
SR-703MX
PERIMETER J

R20-407
PVC RECEIVER



MOLDING DIMENSIONS, PAGE 3

<p>DRAWING NAME: PRO 2PC 2C Molding Dimensions Page 3.dwg</p>			<p>Note: This detail represents the latest recommendations from Citadel Architectural Products, Inc. It is presented in good faith and is subject to change without notice. Citadel Architectural Products, Inc. accepts no responsibility for the end use of this detail. For conditions not shown, consult our Technical Staff at (800) 446-8828 for review of specific details.</p>
<p>SYSTEM: Two Piece Moldings</p>	<p>REVISED: 11/06</p>	<p>SCALE: 1:1</p>	



NOTE:
 FOR NON-NAILABLE
 SUBSTRATES, FASTENERS
 MUST BE USED ONLY AT
 STUD FRAMEWORK
 LOCATIONS

3A

BASE / FOUNDATION, OPTION 1

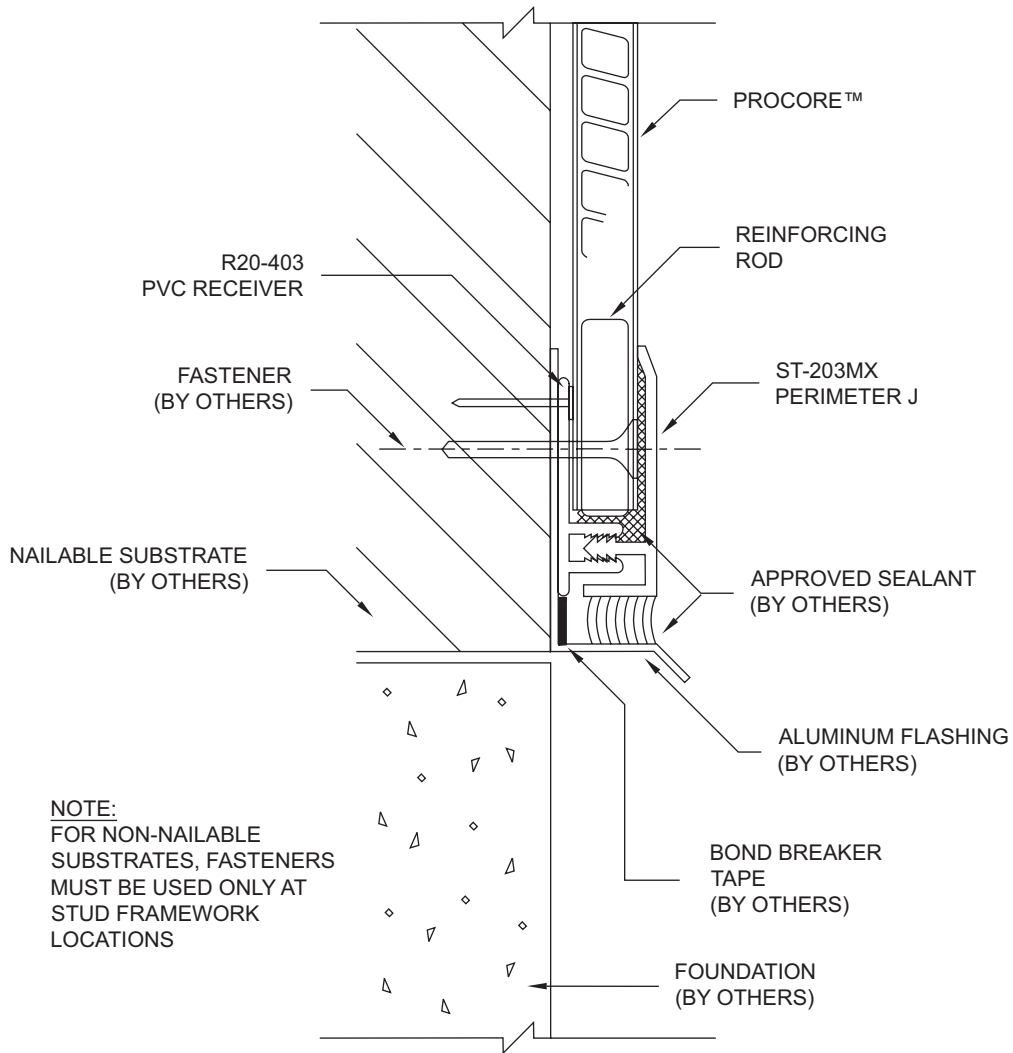
Note: This detail represents the latest recommendations from Citadel Architectural Products, Inc. It is presented in good faith and is subject to change without notice. Citadel Architectural Products, Inc. accepts no responsibility for the end use of this detail. For conditions not shown, consult our Technical Staff at (800) 446-8828 for review of specific details.

DRAWING NAME:
 PRO 2PC 3A Base Foundation Option 1.dwg

SYSTEM:
 Two Piece Moldings

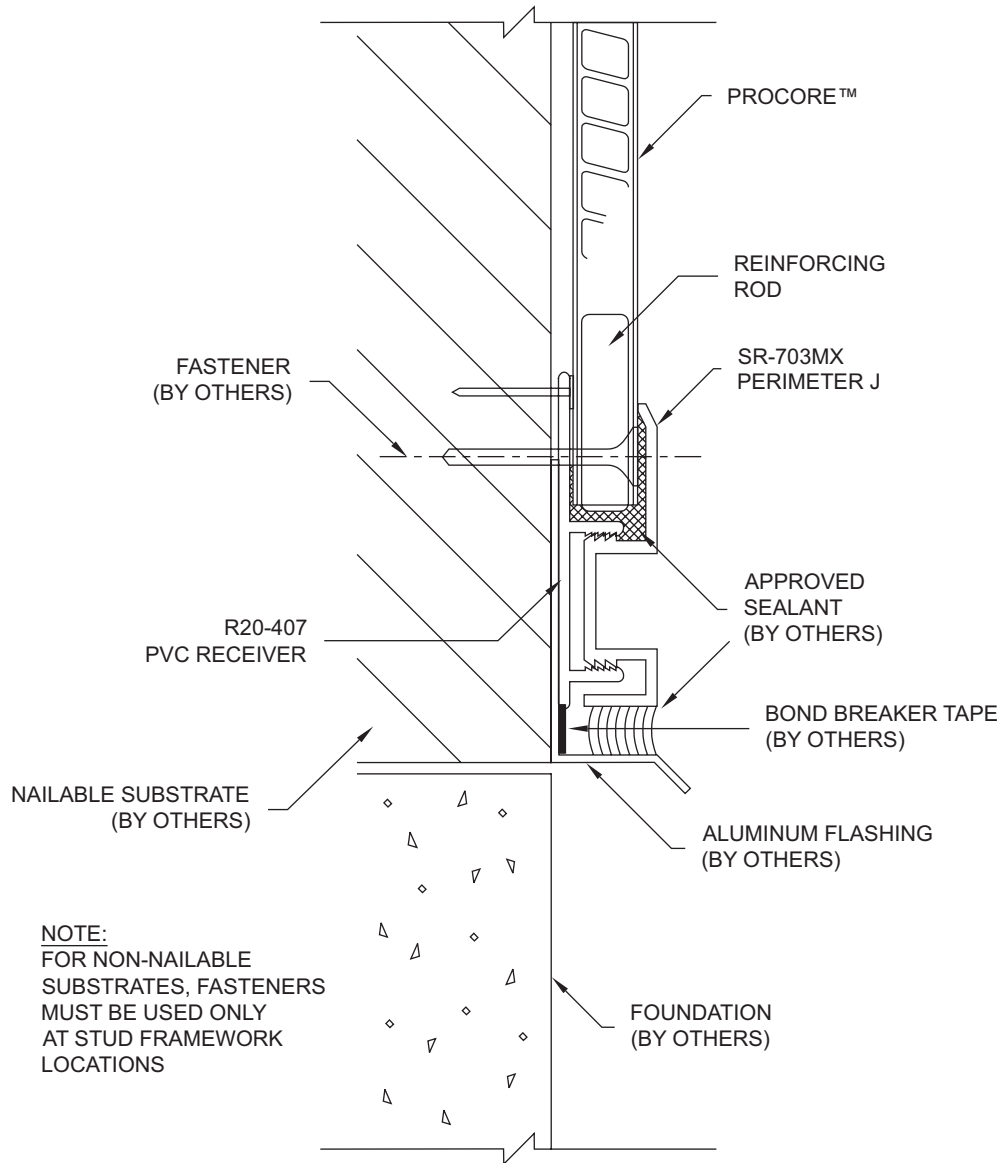
REVISED:
 11/06

SCALE:
 1:1



3B BASE / FOUNDATION, OPTION 2

DRAWING NAME: PRO 2PC 3B Base Foundation Option 2.dwg			Note: This detail represents the latest recommendations from Citadel Architectural Products, Inc. It is presented in good faith and is subject to change without notice. Citadel Architectural Products, Inc. accepts no responsibility for the end use of this detail. For conditions not shown, consult our Technical Staff at (800) 446-8828 for review of specific details.
SYSTEM: Two Piece Moldings	REVISED: 11/06	SCALE: 1:1	



3C

BASE / FOUNDATION, OPTION 3

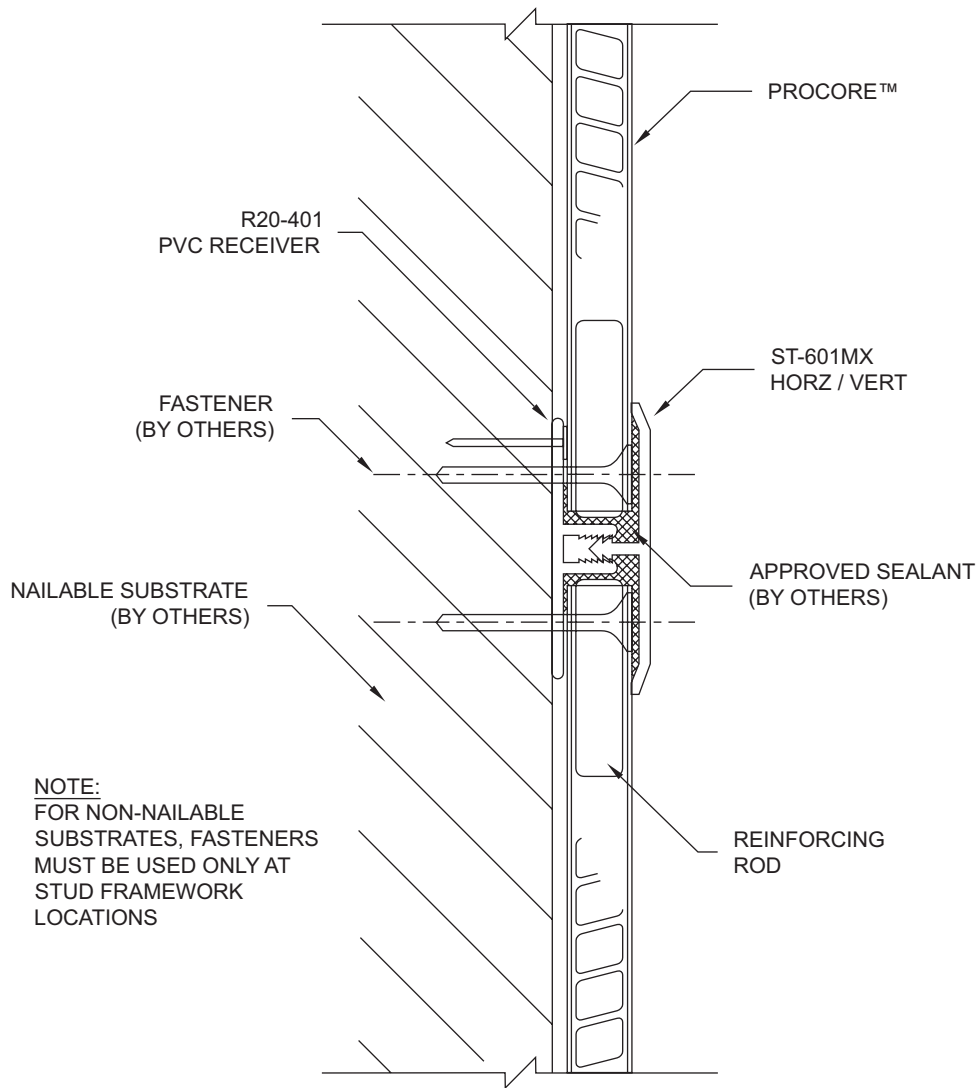
Note: This detail represents the latest recommendations from Citadel Architectural Products, Inc. It is presented in good faith and is subject to change without notice. Citadel Architectural Products, Inc. accepts no responsibility for the end use of this detail. For conditions not shown, consult our Technical Staff at (800) 446-8828 for review of specific details.

DRAWING NAME:
PRO 2PC 3C Base Foundation Option 3.dwg

SYSTEM:
Two Piece Moldings

REVISED:
11/06

SCALE:
1:1

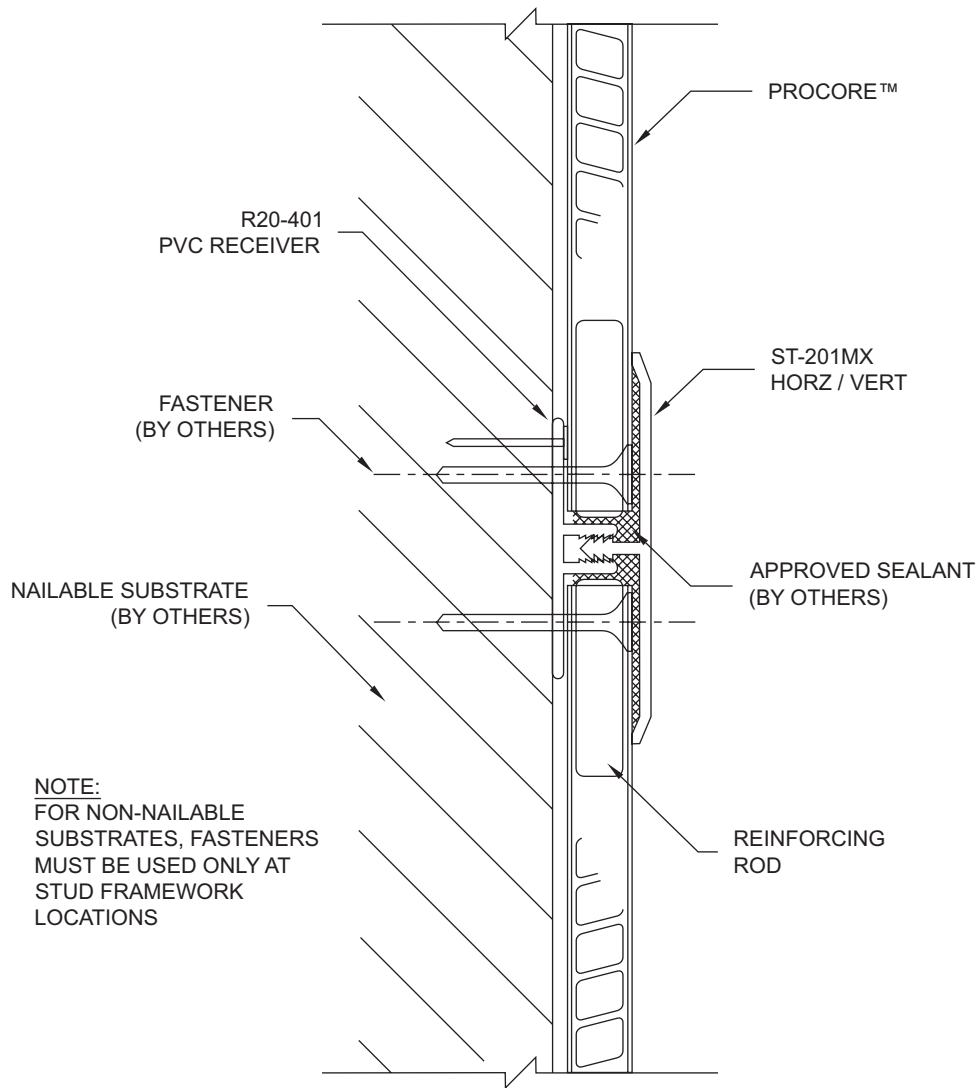


NOTE:
FOR NON-NAILABLE
SUBSTRATES, FASTENERS
MUST BE USED ONLY AT
STUD FRAMEWORK
LOCATIONS

4A

HORIZONTAL / VERTICAL, OPTION 1

<p>DRAWING NAME: PRO 2PC 4A Horizontal Vertical Option 1.dwg</p>			<p>Note: This detail represents the latest recommendations from Citadel Architectural Products, Inc. It is presented in good faith and is subject to change without notice. Citadel Architectural Products, Inc. accepts no responsibility for the end use of this detail. For conditions not shown, consult our Technical Staff at (800) 446-8828 for review of specific details.</p>
<p>SYSTEM: Two Piece Moldings</p>	<p>REVISED: 11/06</p>	<p>SCALE: 1:1</p>	



4B

HORIZONTAL / VERTICAL, OPTION 2

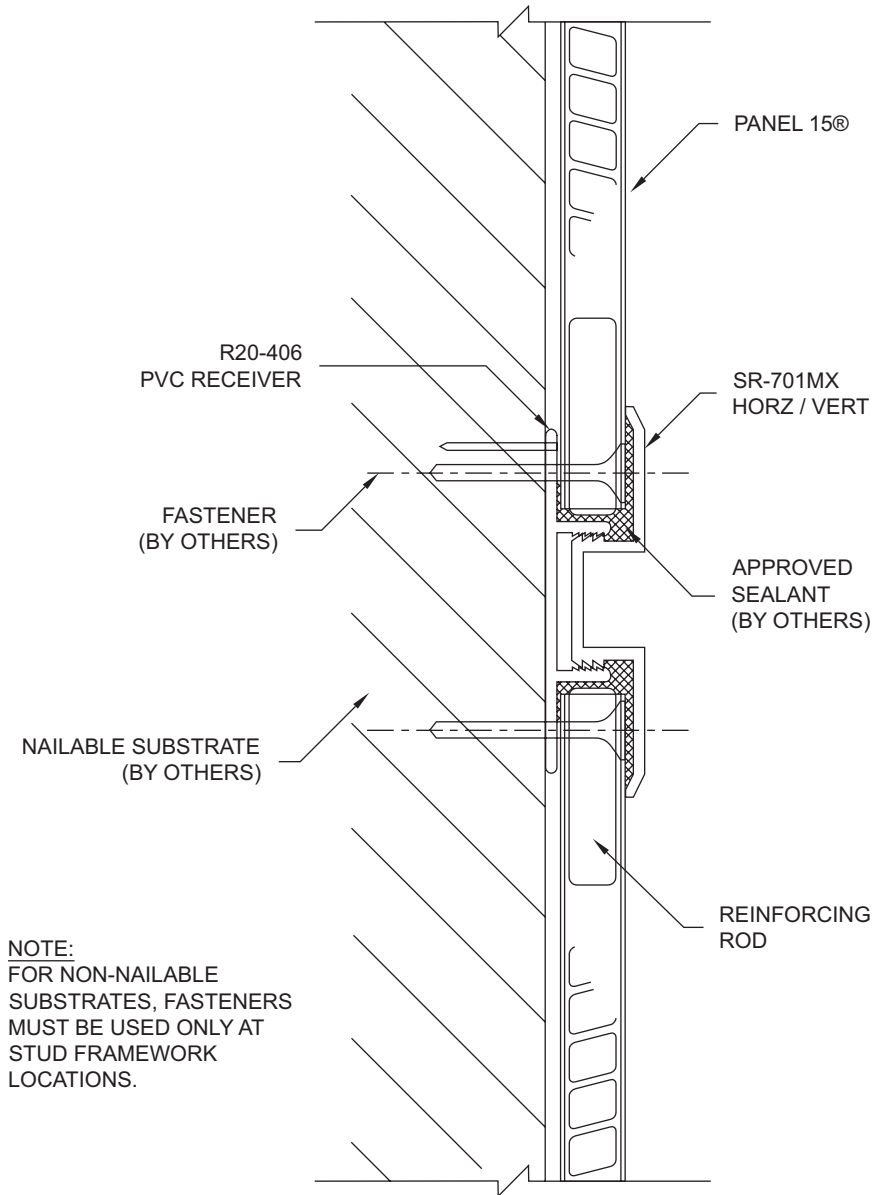
Note: This detail represents the latest recommendations from Citadel Architectural Products, Inc. It is presented in good faith and is subject to change without notice. Citadel Architectural Products, Inc. accepts no responsibility for the end use of this detail. For conditions not shown, consult our Technical Staff at (800) 446-8828 for review of specific details.

DRAWING NAME:
PRO 2PC 4B Horizontal Vertical Option 2.dwg

SYSTEM:
Two Piece Moldings

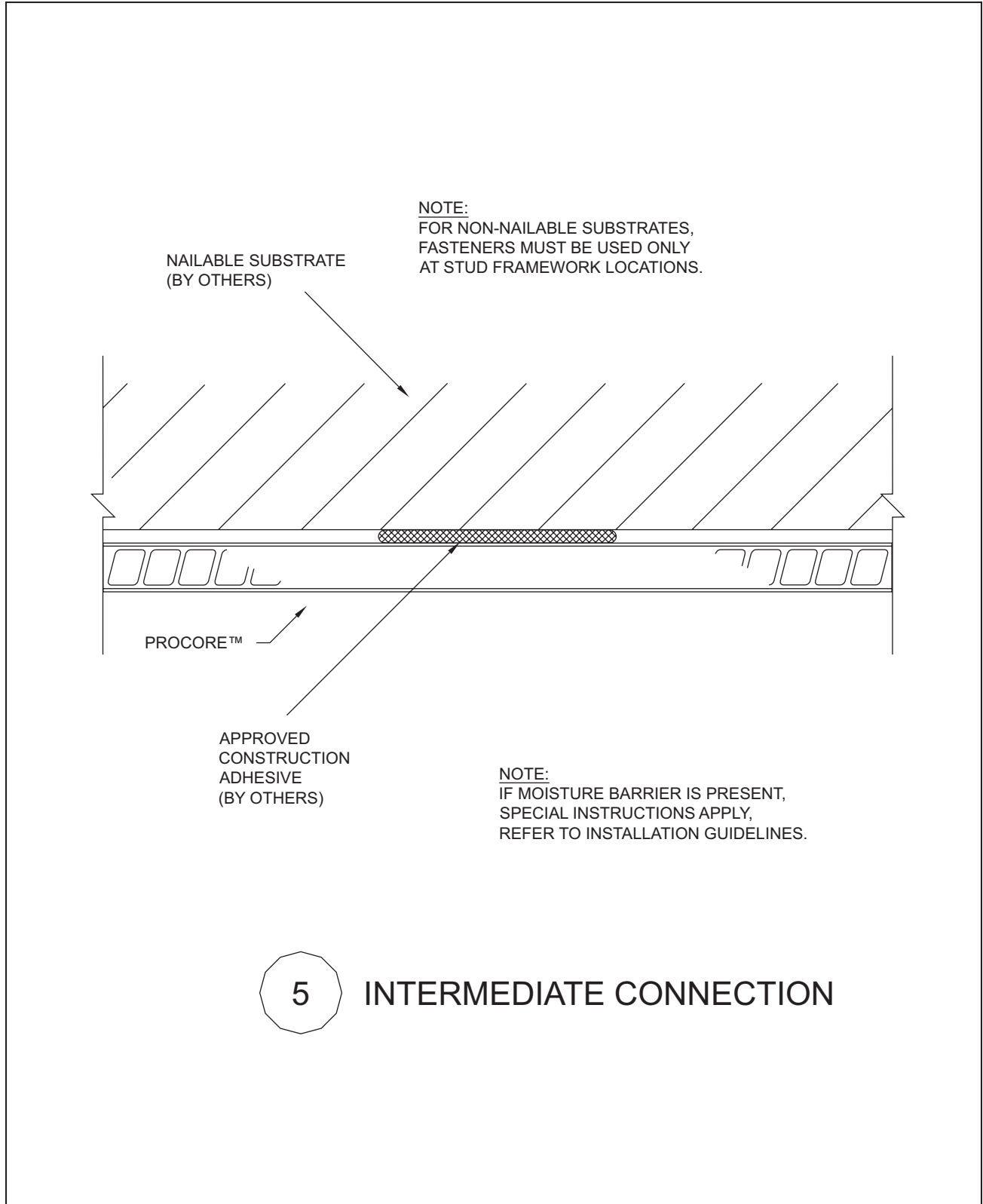
REVISED:
11/06

SCALE:
1:1



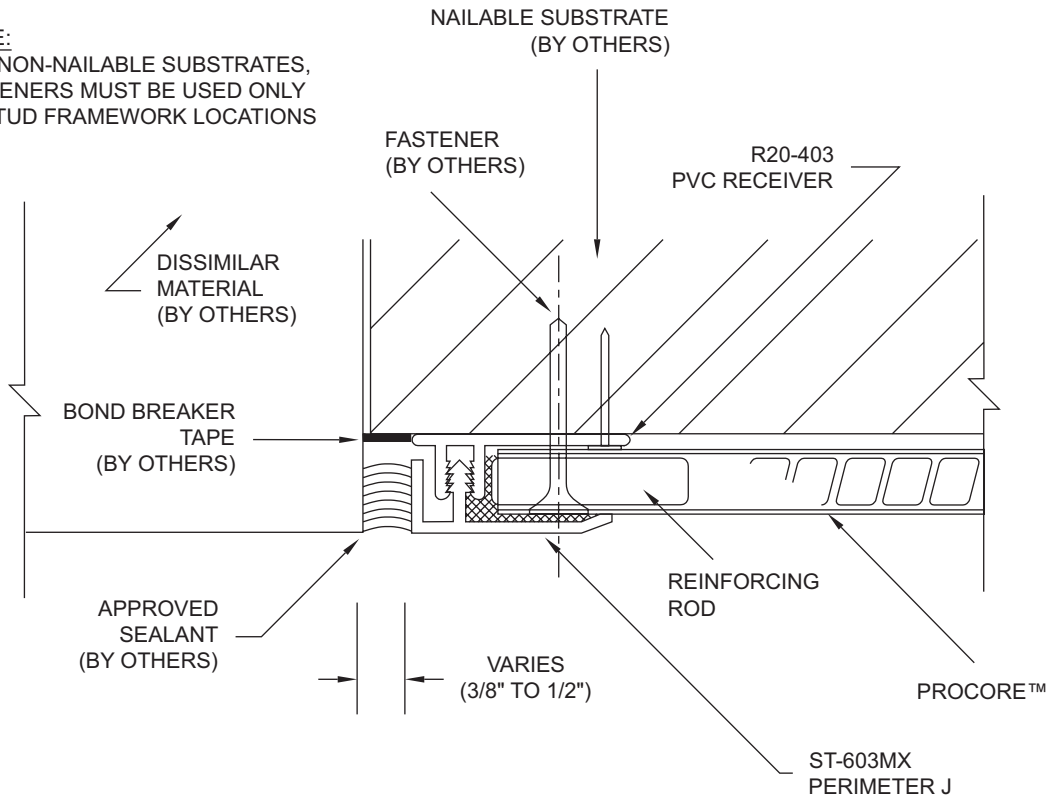
4C HORIZONTAL / VERTICAL, OPTION 3

DRAWING NAME: PRO 2PC 4C Horizontal Vertical Option 3.dwg			Note: This detail represents the latest recommendations from Citadel Architectural Products, Inc. It is presented in good faith and is subject to change without notice. Citadel Architectural Products, Inc. accepts no responsibility for the end use of this detail. For conditions not shown, consult our Technical Staff at (800) 446-8828 for review of specific details.
SYSTEM: Two Piece Moldings	REVISED: 11/06	SCALE: 1:1	



<p>Note: This detail represents the latest recommendations from Citadel Architectural Products, Inc. It is presented in good faith and is subject to change without notice. Citadel Architectural Products, Inc. accepts no responsibility for the end use of this detail. For conditions not shown, consult our Technical Staff at (800) 446-8828 for review of specific details.</p>	<p>DRAWING NAME: PRO 2PC 5 Intermediate Connection.dwg</p>		
	<p>SYSTEM: Two Piece Moldings</p>	<p>REVISED: 11/06</p>	<p>SCALE: 1:1</p>

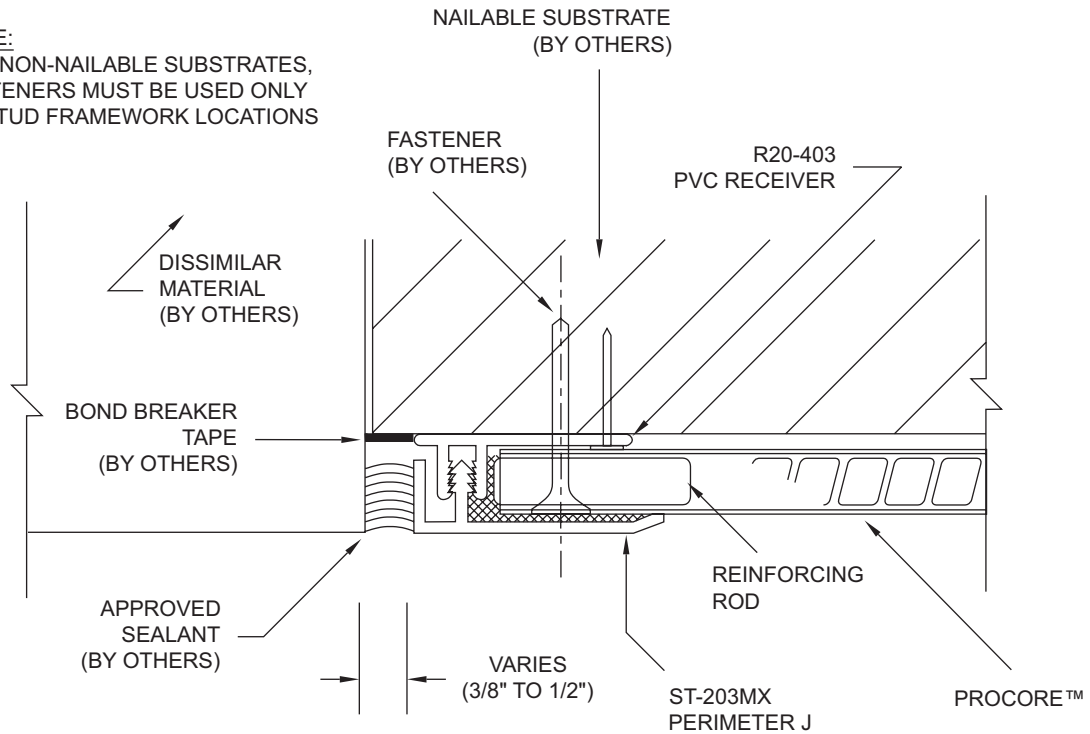
NOTE:
FOR NON-NAILABLE SUBSTRATES,
FASTENERS MUST BE USED ONLY
AT STUD FRAMEWORK LOCATIONS



6A DISSIMILAR MATERIAL, OPTION 1

DRAWING NAME: PRO 2PC 6A Dissimilar Material Option 1.dwg			Note: This detail represents the latest recommendations from Citadel Architectural Products, Inc. It is presented in good faith and is subject to change without notice. Citadel Architectural Products, Inc. accepts no responsibility for the end use of this detail. For conditions not shown, consult our Technical Staff at (800) 446-8828 for review of specific details.
SYSTEM: Two Piece Moldings	REVISED: 11/06	SCALE: 1:1	

NOTE:
FOR NON-NAILABLE SUBSTRATES,
FASTENERS MUST BE USED ONLY
AT STUD FRAMEWORK LOCATIONS



6B

DISSIMILAR MATERIAL, OPTION 2

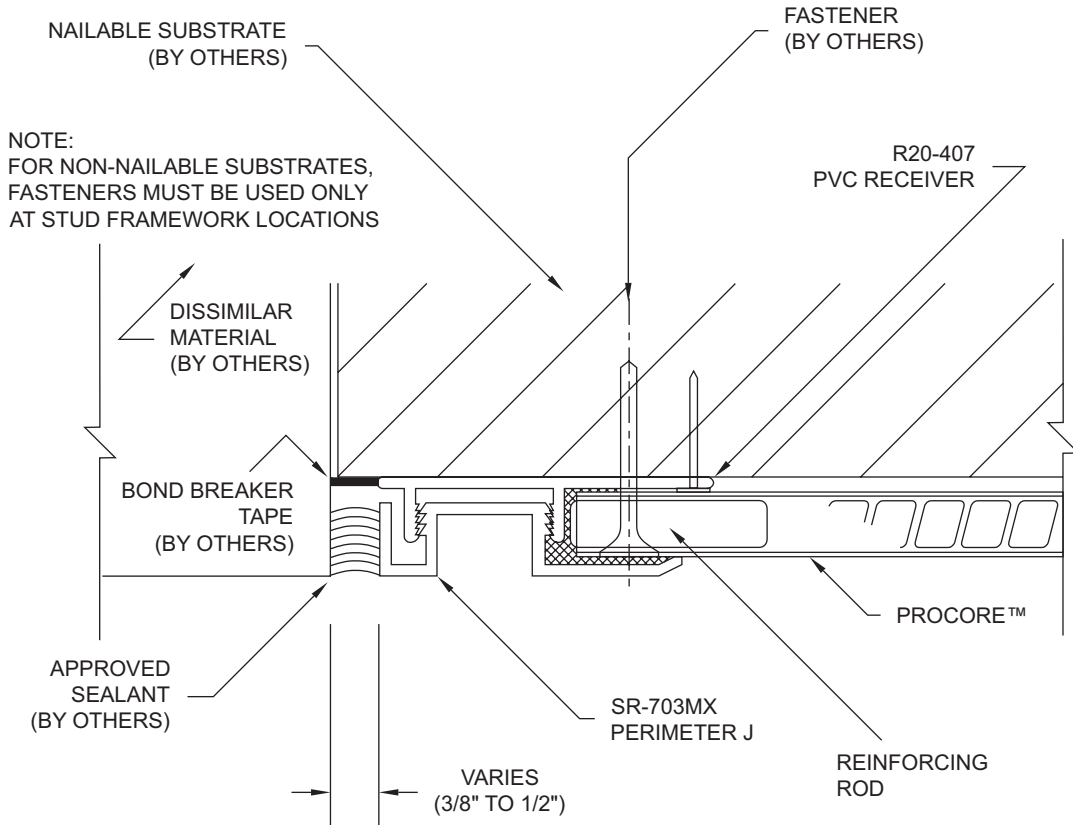
Note: This detail represents the latest recommendations from Citadel Architectural Products, Inc. It is presented in good faith and is subject to change without notice. Citadel Architectural Products, Inc. accepts no responsibility for the end use of this detail. For conditions not shown, consult our Technical Staff at (800) 446-8828 for review of specific details.

DRAWING NAME:
PRO 2PC 6B Dissimilar Material Option 2.dwg

SYSTEM:
Two Piece Moldings

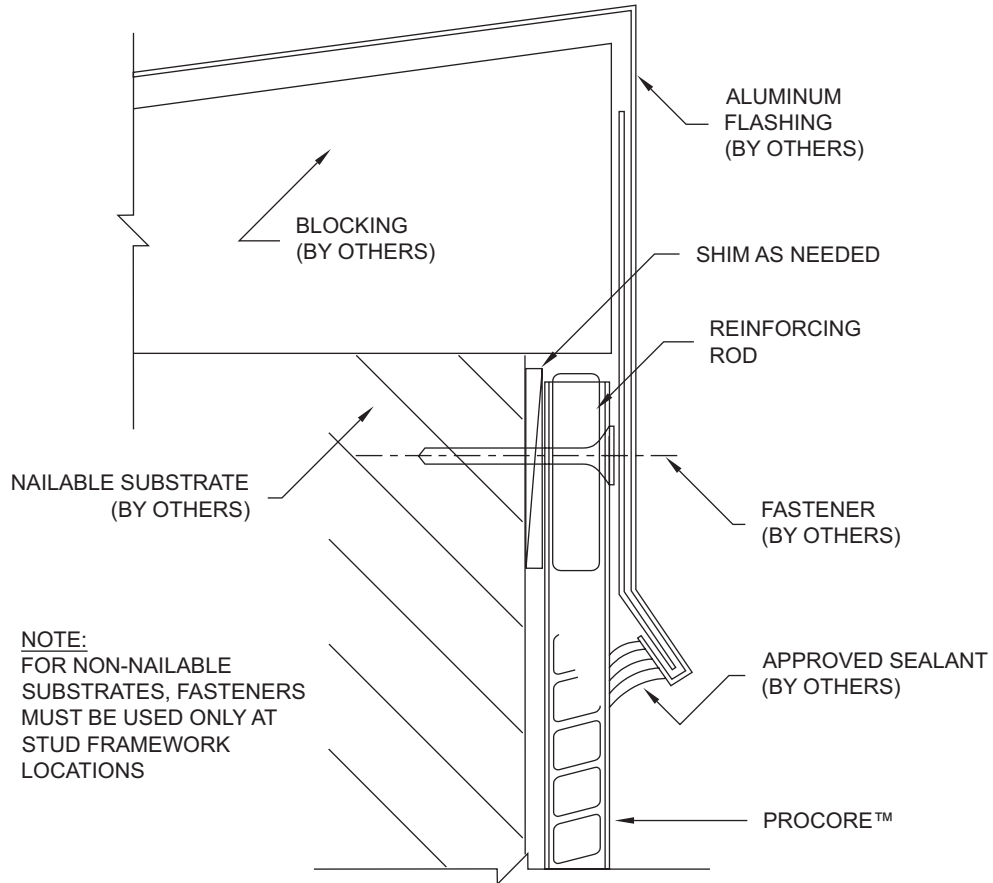
REVISED:
11/06

SCALE:
1:1



6C DISSIMILAR MATERIAL, OPTION 3

DRAWING NAME: PRO 2PC 6C Dissimilar Material Option 3.dwg			Note: This detail represents the latest recommendations from Citadel Architectural Products, Inc. It is presented in good faith and is subject to change without notice. Citadel Architectural Products, Inc. accepts no responsibility for the end use of this detail. For conditions not shown, consult our Technical Staff at (800) 446-8828 for review of specific details.
SYSTEM: Two Piece Moldings	REVISED: 11/06	SCALE: 1:1	



7 PARAPET

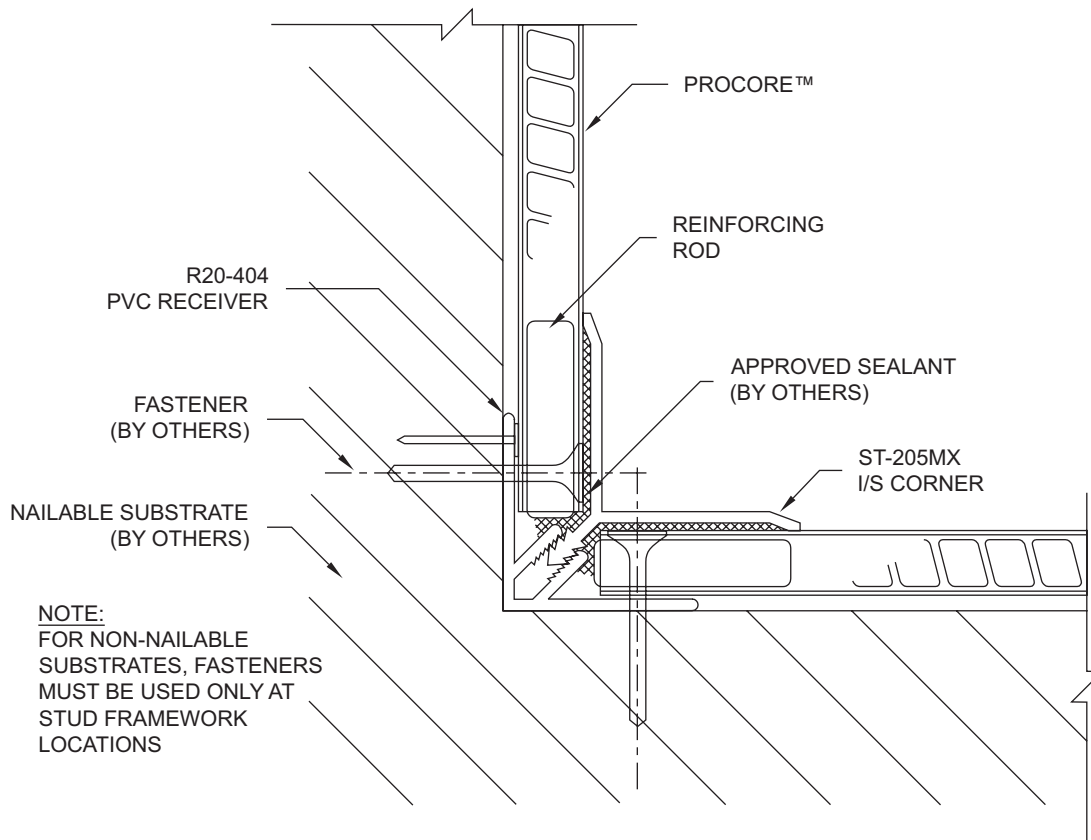
Note: This detail represents the latest recommendations from Citadel Architectural Products, Inc. It is presented in good faith and is subject to change without notice. Citadel Architectural Products, Inc. accepts no responsibility for the end use of this detail. For conditions not shown, consult our Technical Staff at (800) 446-8828 for review of specific details.

DRAWING NAME:
PRO 2PC 7 Parapet.dwg

SYSTEM:
Two Piece Moldings

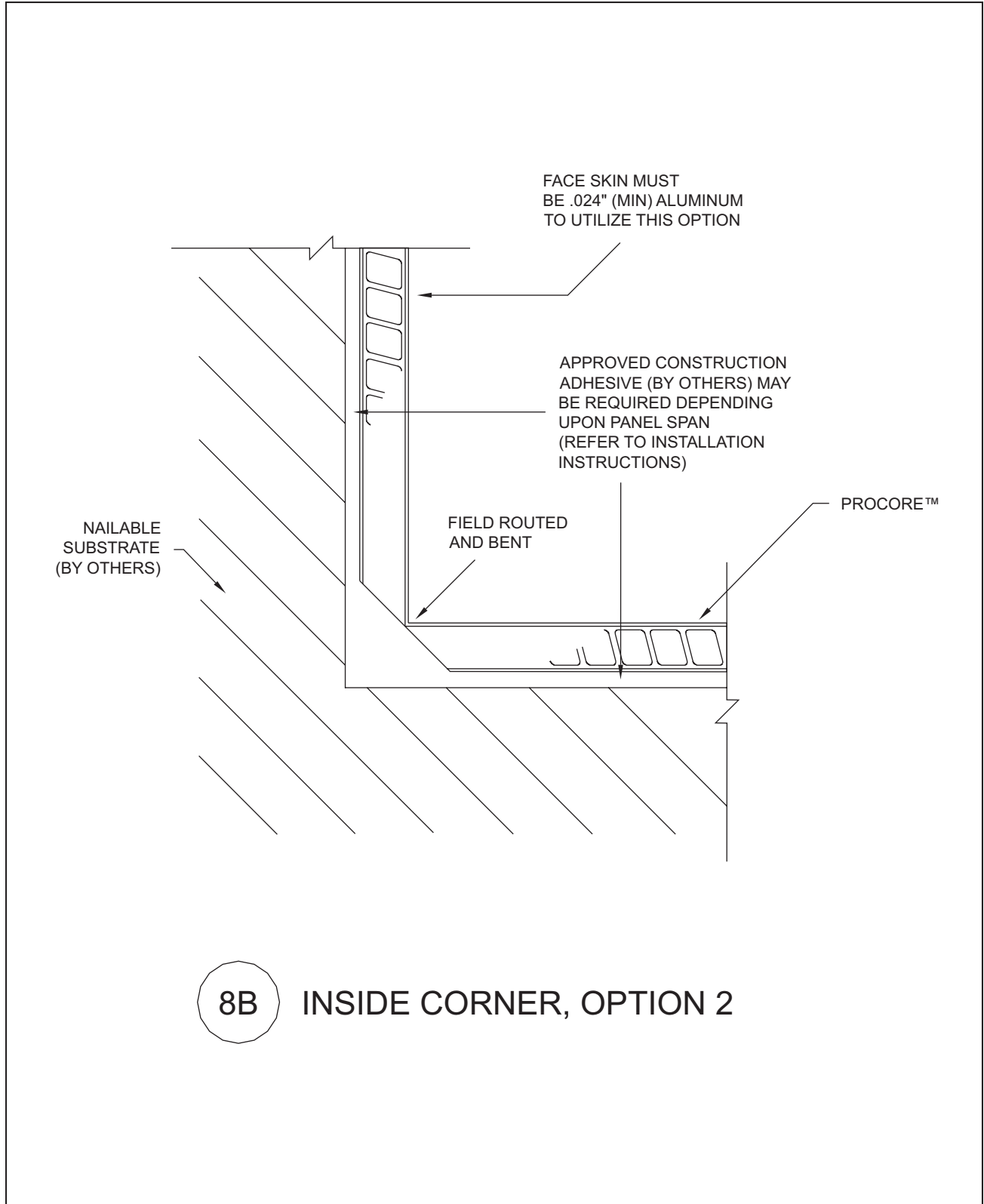
REVISED:
11/06

SCALE:
1:1



8A INSIDE CORNER, OPTION 1

DRAWING NAME: PRO 2PC 8A Inside Corner Option 1.dwg			Note: This detail represents the latest recommendations from Citadel Architectural Products, Inc. It is presented in good faith and is subject to change without notice. Citadel Architectural Products, Inc. accepts no responsibility for the end use of this detail. For conditions not shown, consult our Technical Staff at (800) 446-8828 for review of specific details.
SYSTEM: Two Piece Moldings	REVISED: 11/06	SCALE: 1:1	



8B INSIDE CORNER, OPTION 2

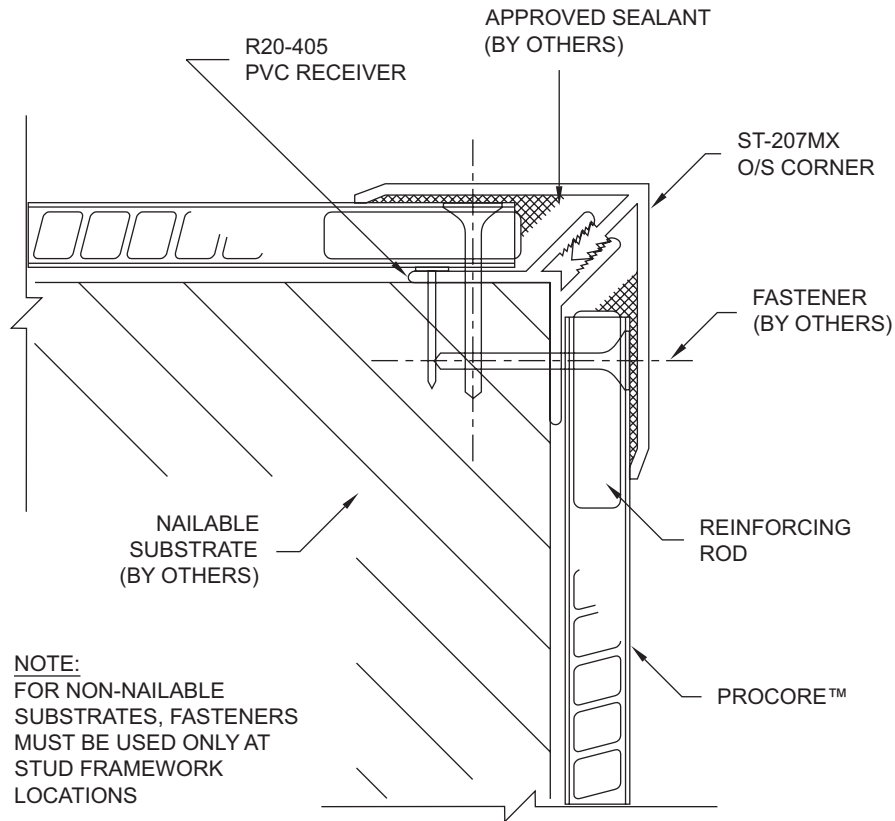
Note: This detail represents the latest recommendations from Citadel Architectural Products, Inc. It is presented in good faith and is subject to change without notice. Citadel Architectural Products, Inc. accepts no responsibility for the end use of this detail. For conditions not shown, consult our Technical Staff at (800) 446-8828 for review of specific details.

DRAWING NAME:
PRO 2PC 8B Inside Corner Option 2.dwg

SYSTEM:
Two Piece Moldings

REVISED:
11/06

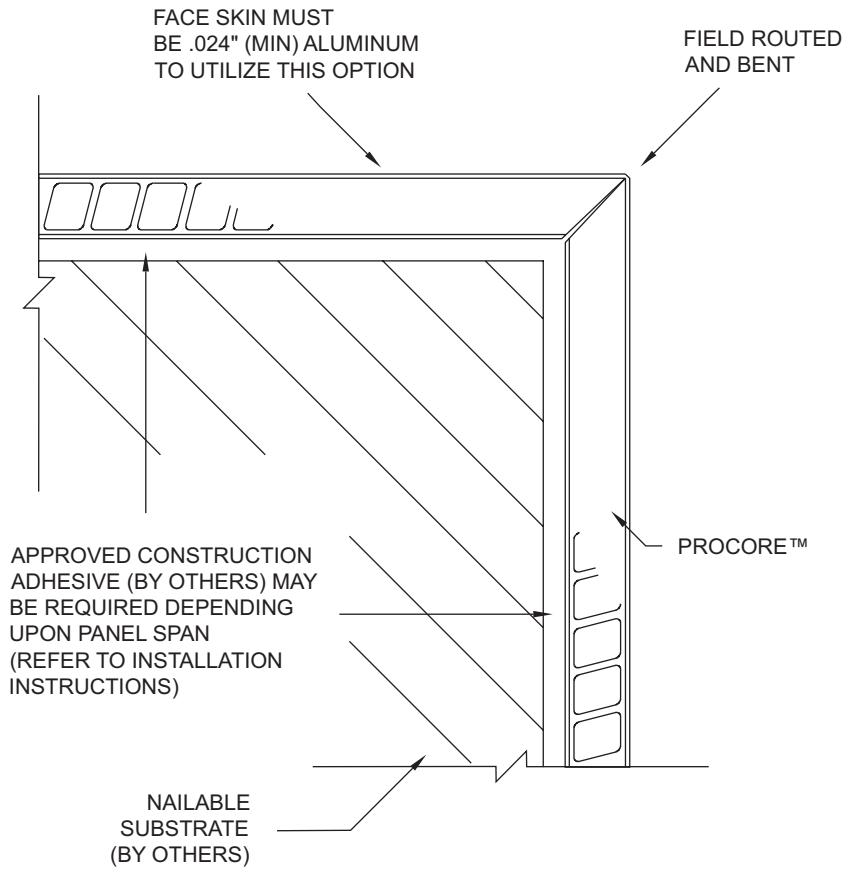
SCALE:
1:1



9A

OUTSIDE CORNER, OPTION 1

DRAWING NAME: PRO 2PC 9A Outside Corner Option1.dwg			Note: This detail represents the latest recommendations from Citadel Architectural Products, Inc. It is presented in good faith and is subject to change without notice. Citadel Architectural Products, Inc. accepts no responsibility for the end use of this detail. For conditions not shown, consult our Technical Staff at (800) 446-8828 for review of specific details.
SYSTEM: Two Piece Moldings	REVISED: 11/06	SCALE: 1:1	



9B OUTSIDE CORNER, OPTION 2

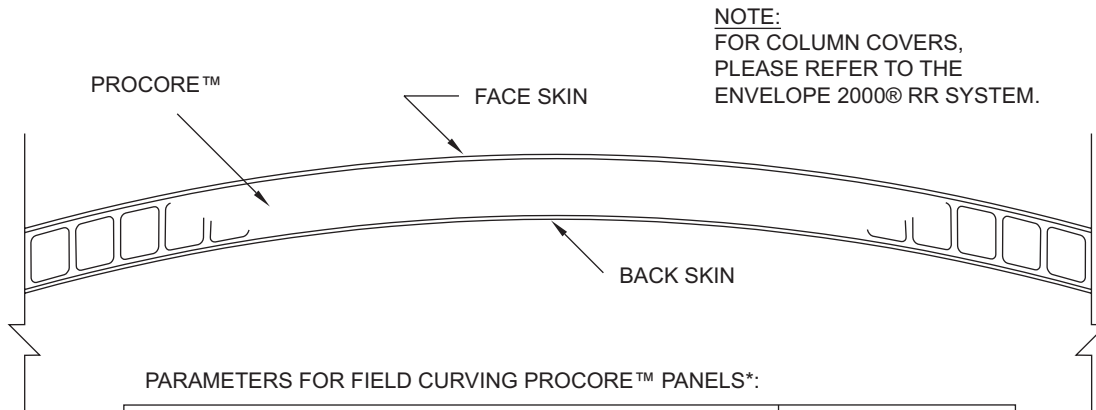
Note: This detail represents the latest recommendations from Citadel Architectural Products, Inc. It is presented in good faith and is subject to change without notice. Citadel Architectural Products, Inc. accepts no responsibility for the end use of this detail. For conditions not shown, consult our Technical Staff at (800) 446-8828 for review of specific details.

DRAWING NAME:
PRO 2PC 9B Outside Corner Option 2.dwg

SYSTEM:
Two Piece Moldings

REVISED:
11/06

SCALE:
1:1



PARAMETERS FOR FIELD CURVING PROCORE™ PANELS*:

BACKER MATERIAL**:	MINIMUM RADIUS:
STANDARD .024" SMOOTH ALUMINUM	50 FT
.030" SMOOTH FIBERGLASS REINFORCED PLASTIC (FRP)	8 FT
.008" FIBERGLASS REINFORCED KRAFT/FOIL SCRIM	2 FT

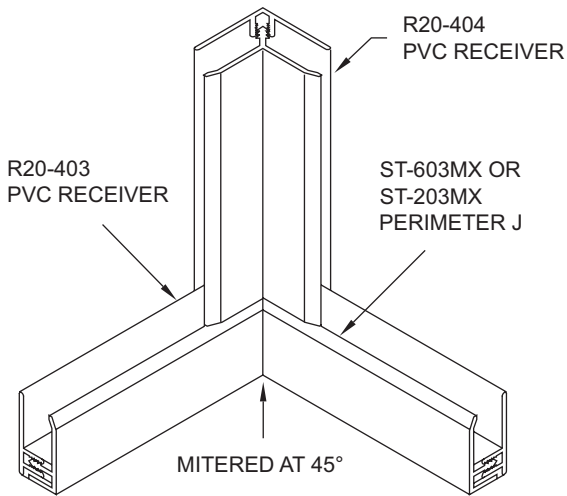
* ALL MOLDINGS MUST BE FACTORY CURVED. HOWEVER, FACTORY CURVING NOT RECOMMENDED FOR PROCORE™ PANELS.

** FACE MATERIAL MUST BE .024" (MIN) ALUMINUM.

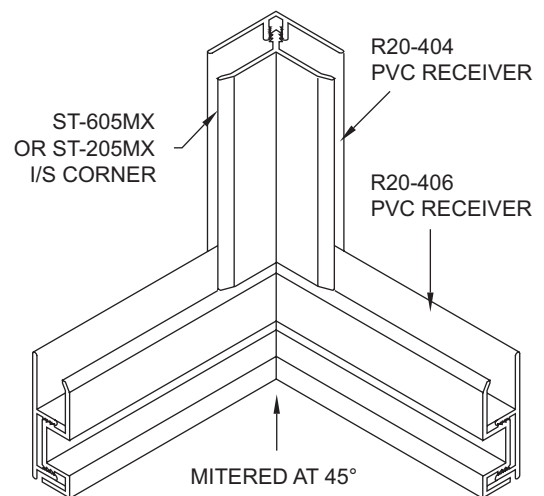
NOTE:
FOR SPECIFIC PROJECT REQUIREMENTS, CONTACT CITADEL.

10 CURVED SECTION

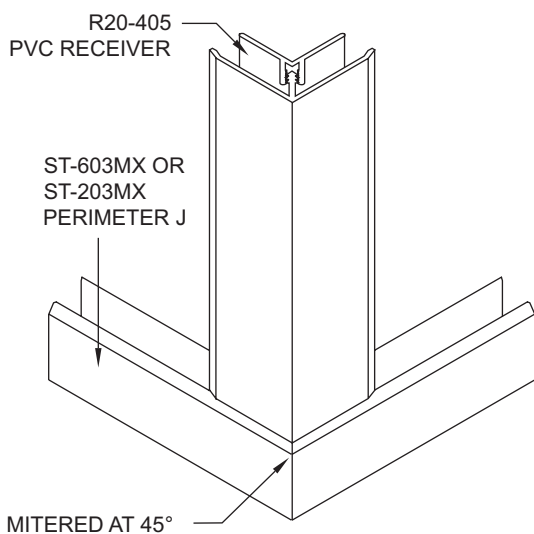
DRAWING NAME: PRO 2PC 10 Curved Section.dwg			Note: This detail represents the latest recommendations from Citadel Architectural Products, Inc. It is presented in good faith and is subject to change without notice. Citadel Architectural Products, Inc. accepts no responsibility for the end use of this detail. For conditions not shown, consult our Technical Staff at (800) 446-8828 for review of specific details.
SYSTEM: Two Piece Moldings	REVISED: 11/06	SCALE: n/a	



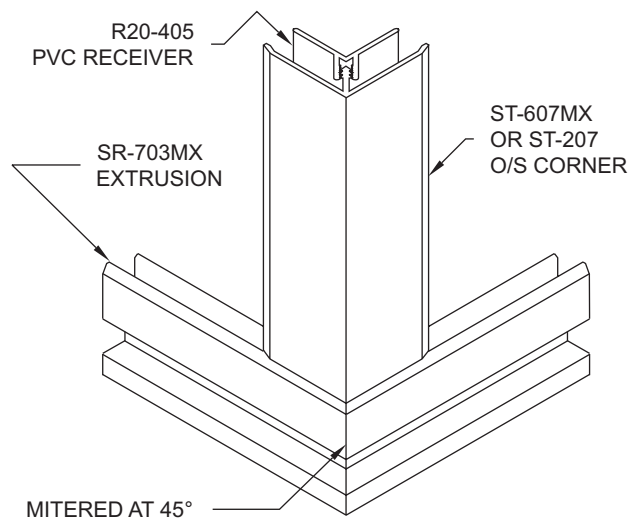
11A BASE INSIDE CORNER, OPTION 1



11B BASE INSIDE CORNER, OPTION 2



12A BASE OUTSIDE CORNER, OPTION 1



12B BASE OUTSIDE CORNER, OPTION 2

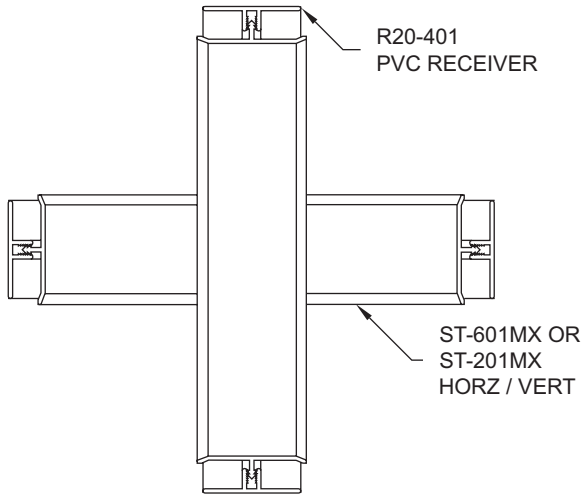
Note: This detail represents the latest recommendations from Citadel Architectural Products, Inc. It is presented in good faith and is subject to change without notice. Citadel Architectural Products, Inc. accepts no responsibility for the end use of this detail. For conditions not shown, consult our Technical Staff at (800) 446-8828 for review of specific details.

DRAWING NAME:
PRO 2PC Intersections 11A To 12B.dwg

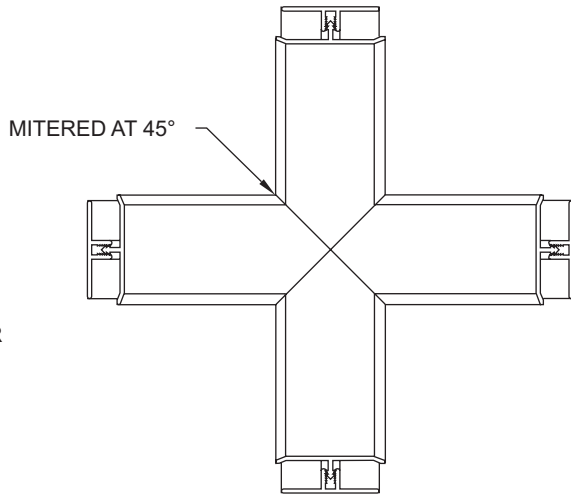
SYSTEM:
Two Piece Moldings

REVISED:
11/06

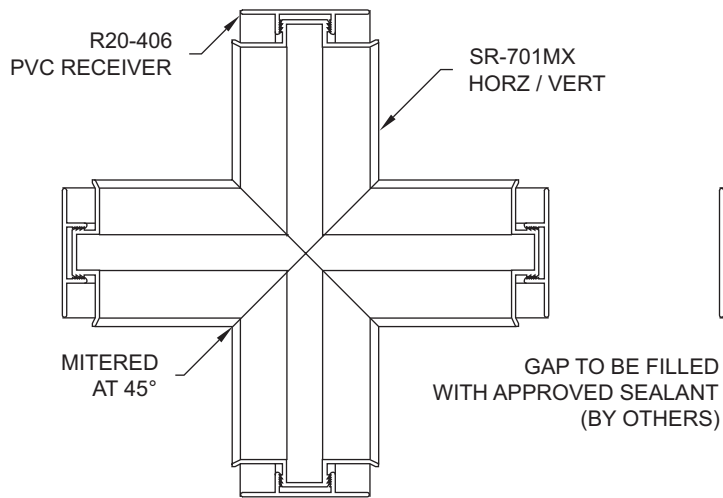
SCALE:
n/a



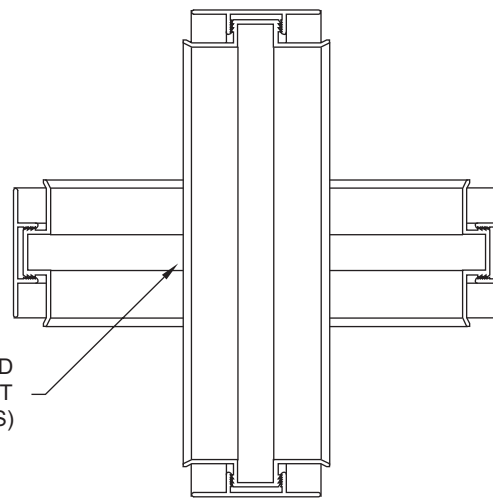
13A HORIZONTAL / VERTICAL, OPTION 1



13B HORIZONTAL / VERTICAL, OPTION 2



13C HORIZONTAL / VERTICAL, OPTION 3



13D HORIZONTAL / VERTICAL, OPTION 4

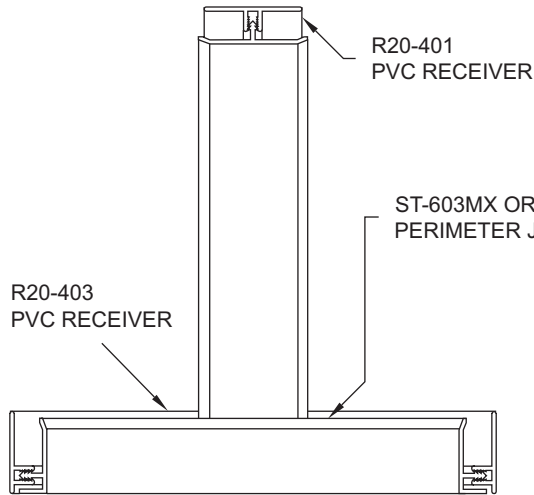
DRAWING NAME:
PRO 2PC Intersections 13A To 13D.dwg

SYSTEM:
Two Piece Moldings

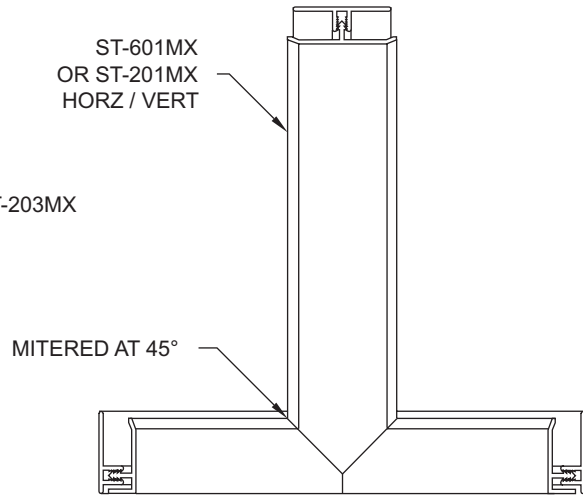
REVISED:
11/06

SCALE:
n/a

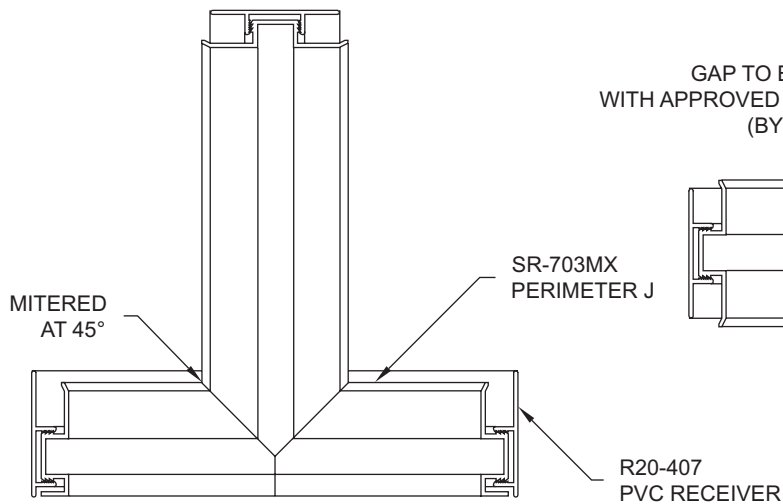
Note: This detail represents the latest recommendations from Citadel Architectural Products, Inc. It is presented in good faith and is subject to change without notice. Citadel Architectural Products, Inc. accepts no responsibility for the end use of this detail. For conditions not shown, consult our Technical Staff at (800) 446-8828 for review of specific details.



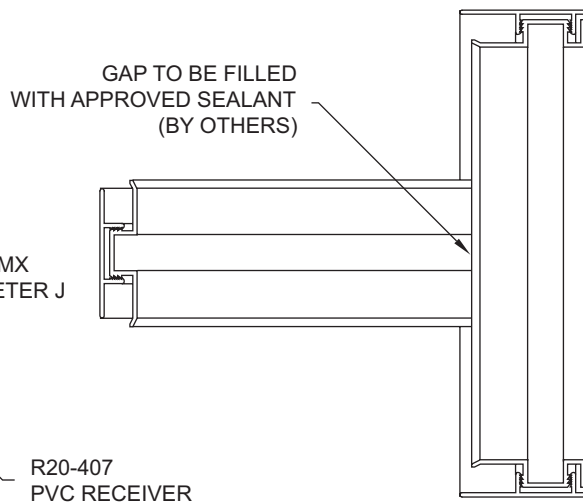
14A HORZ / VERT TERMINATION, OPTION 1



14B HORZ / VERT TERMINATION, OPTION 2



14C HORZ / VERT TERMINATION, OPTION 3



15 HORIZONTAL TERMINATION ONLY

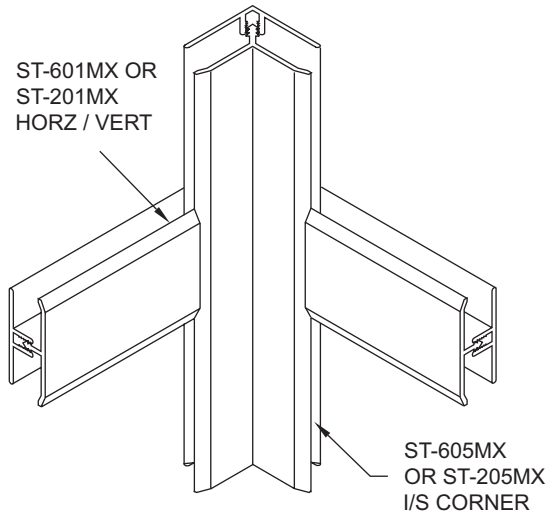
Note: This detail represents the latest recommendations from Citadel Architectural Products, Inc. It is presented in good faith and is subject to change without notice. Citadel Architectural Products, Inc. accepts no responsibility for the end use of this detail. For conditions not shown, consult our Technical Staff at (800) 446-8828 for review of specific details.

DRAWING NAME:
PRO 2PC Intersections 14A To 15.dwg

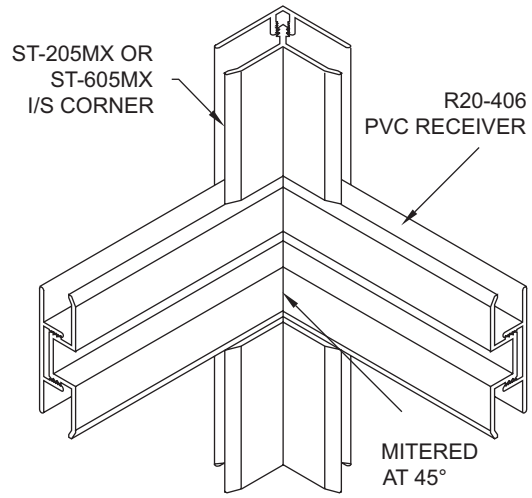
SYSTEM:
Two Piece Moldings

REVISED:
11/06

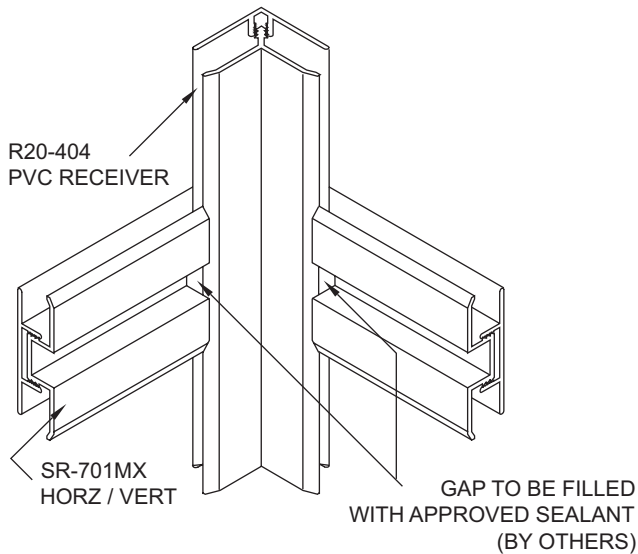
SCALE:
n/a



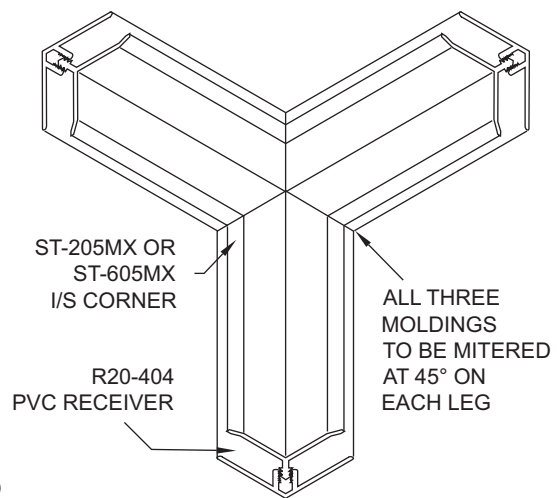
16A INSIDE CORNER, OPTION 1



16B INSIDE CORNER, OPTION 2



16C INSIDE CORNER, OPTION 3



17 THREE WAY INSIDE CORNER

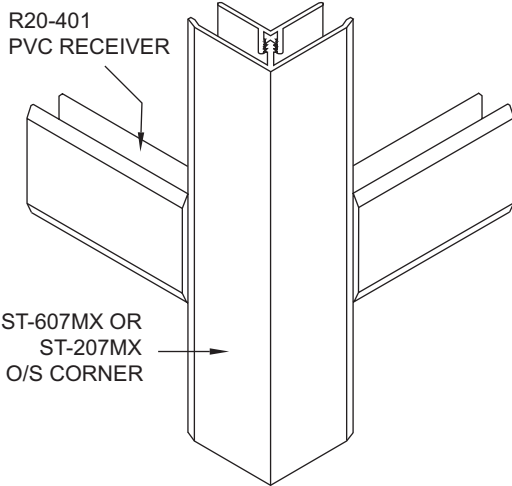
DRAWING NAME:
PRO 2PC Intersections 16A To 17.dwg

SYSTEM:
Two Piece Moldings

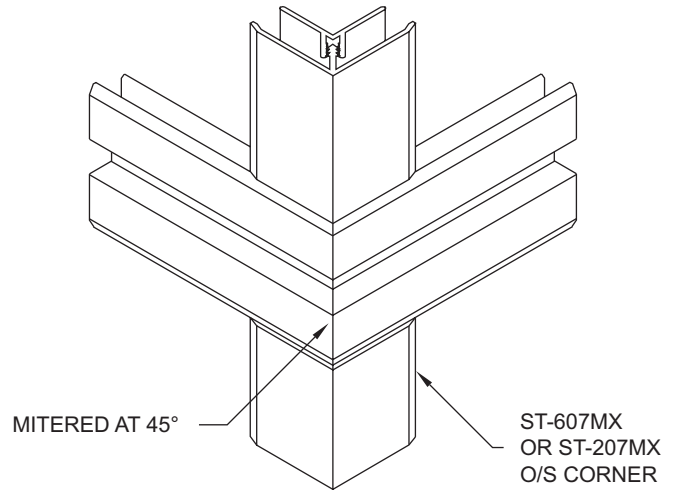
REVISED:
11/06

SCALE:
n/a

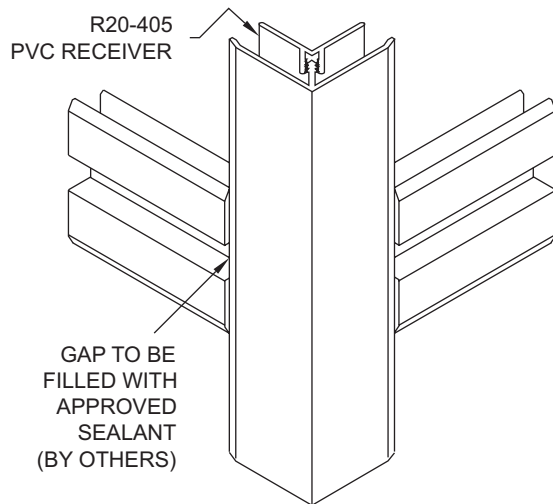
Note: This detail represents the latest recommendations from Citadel Architectural Products, Inc. It is presented in good faith and is subject to change without notice. Citadel Architectural Products, Inc. accepts no responsibility for the end use of this detail. For conditions not shown, consult our Technical Staff at (800) 446-8828 for review of specific details.



18A OUTSIDE CORNER, OPTION 1



18B OUTSIDE CORNER, OPTION 2



18C OUTSIDE CORNER, OPTION 3

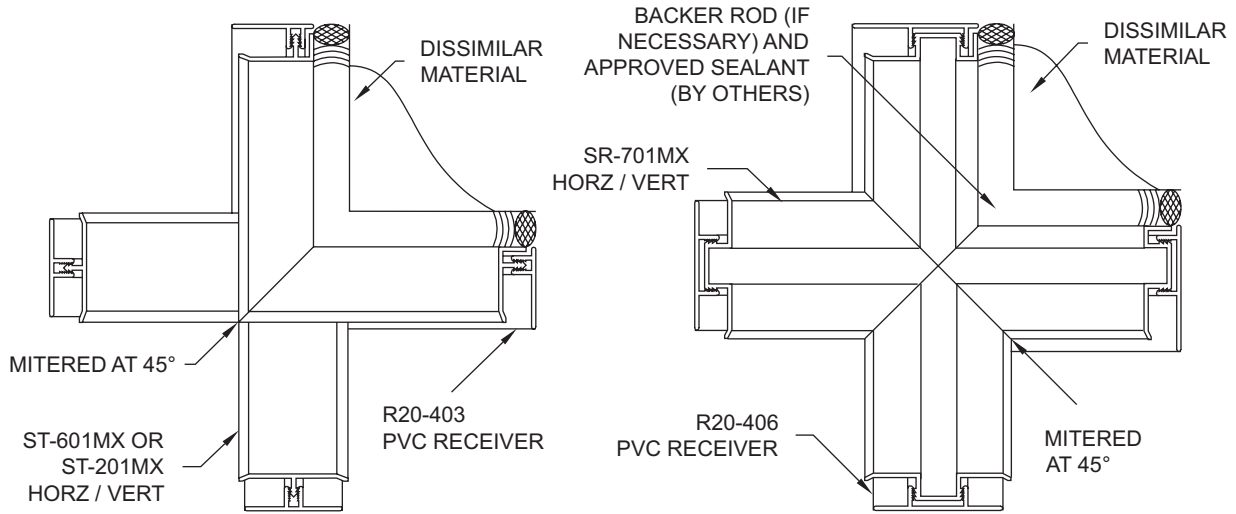
Note: This detail represents the latest recommendations from Citadel Architectural Products, Inc. It is presented in good faith and is subject to change without notice. Citadel Architectural Products, Inc. accepts no responsibility for the end use of this detail. For conditions not shown, consult our Technical Staff at (800) 446-8828 for review of specific details.

DRAWING NAME:
PRO 2PC Intersections 18A To 18C.dwg

SYSTEM:
Two Piece Moldings

REVISED:
11/06

SCALE:
n/a



19A DISSIMILAR MATERIAL CORNER, OPT. 1

19B DISSIMILAR MATERIAL CORNER, OPT. 2

<p>DRAWING NAME: PRO 2PC Intersections 19A To 19B.dwg</p>			<p>Note: This detail represents the latest recommendations from Citadel Architectural Products, Inc. It is presented in good faith and is subject to change without notice. Citadel Architectural Products, Inc. accepts no responsibility for the end use of this detail. For conditions not shown, consult our Technical Staff at (800) 446-8828 for review of specific details.</p>
<p>SYSTEM: Two Piece Moldings</p>	<p>REVISED: 11/06</p>	<p>SCALE: n/a</p>	