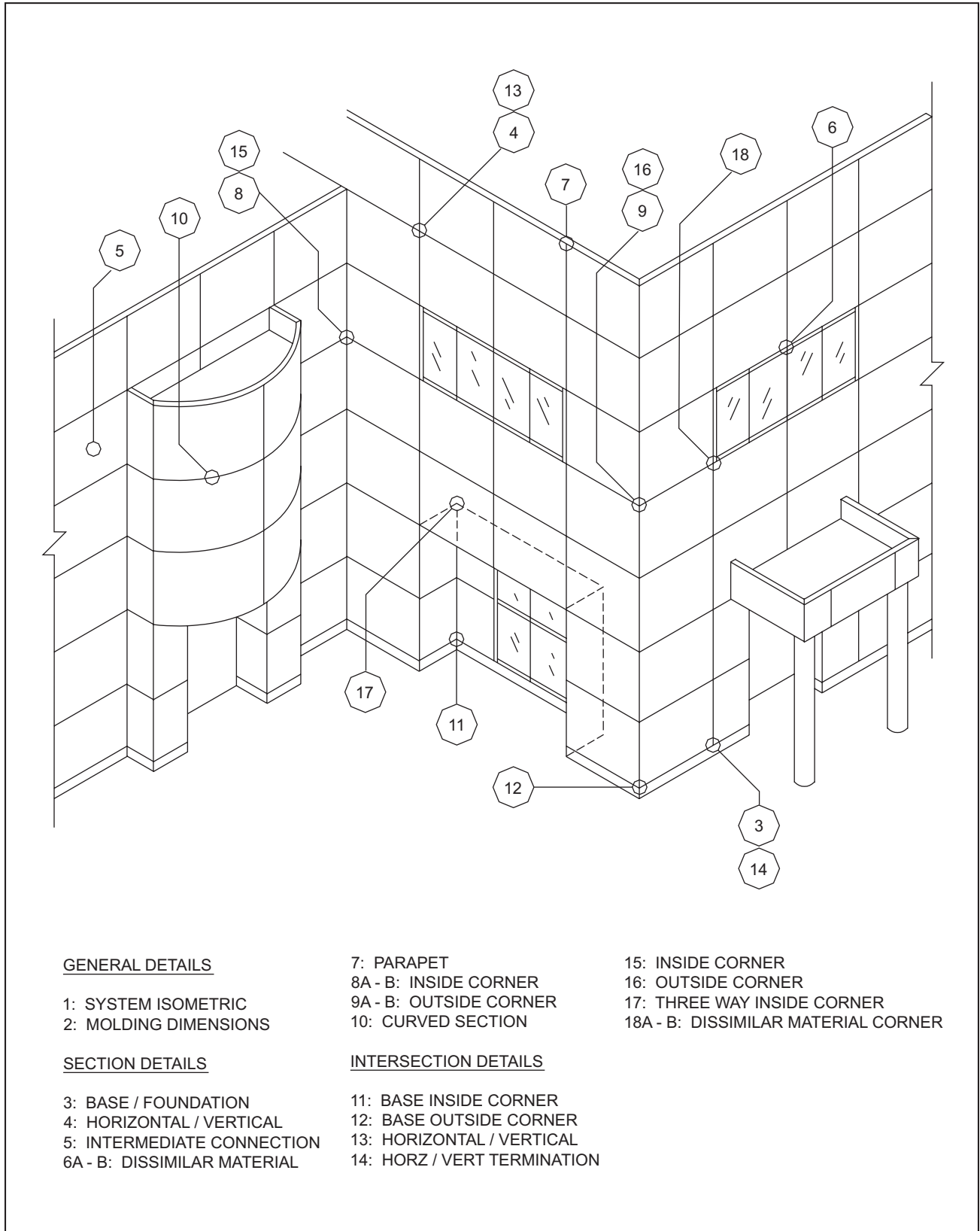


Typical Details: One Piece Molding System



GENERAL DETAILS

- 1: SYSTEM ISOMETRIC
- 2: MOLDING DIMENSIONS

SECTION DETAILS

- 3: BASE / FOUNDATION
- 4: HORIZONTAL / VERTICAL
- 5: INTERMEDIATE CONNECTION
- 6A - B: DISSIMILAR MATERIAL

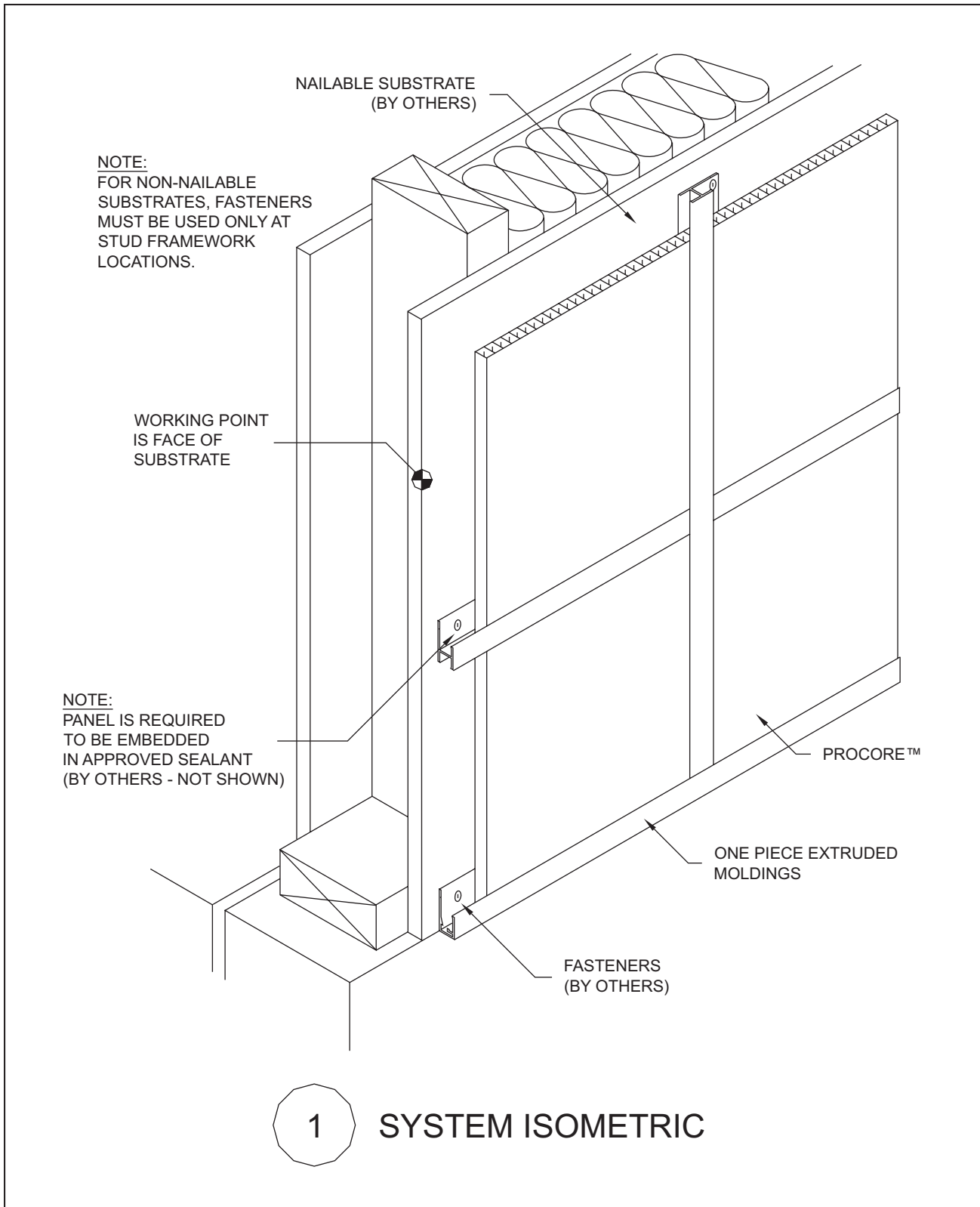
- 7: PARAPET
- 8A - B: INSIDE CORNER
- 9A - B: OUTSIDE CORNER
- 10: CURVED SECTION

INTERSECTION DETAILS

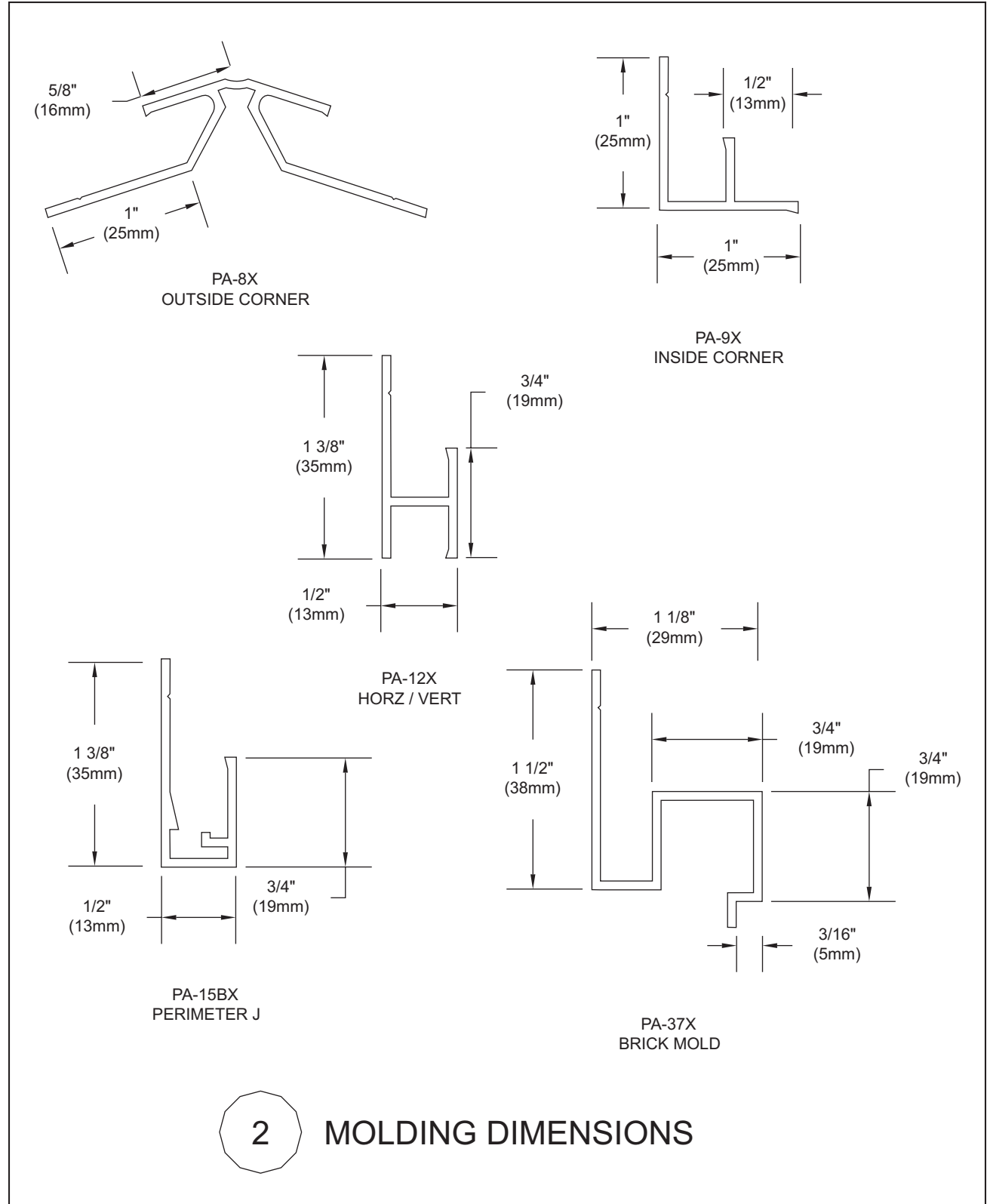
- 11: BASE INSIDE CORNER
- 12: BASE OUTSIDE CORNER
- 13: HORIZONTAL / VERTICAL
- 14: HORZ / VERT TERMINATION

- 15: INSIDE CORNER
- 16: OUTSIDE CORNER
- 17: THREE WAY INSIDE CORNER
- 18A - B: DISSIMILAR MATERIAL CORNER

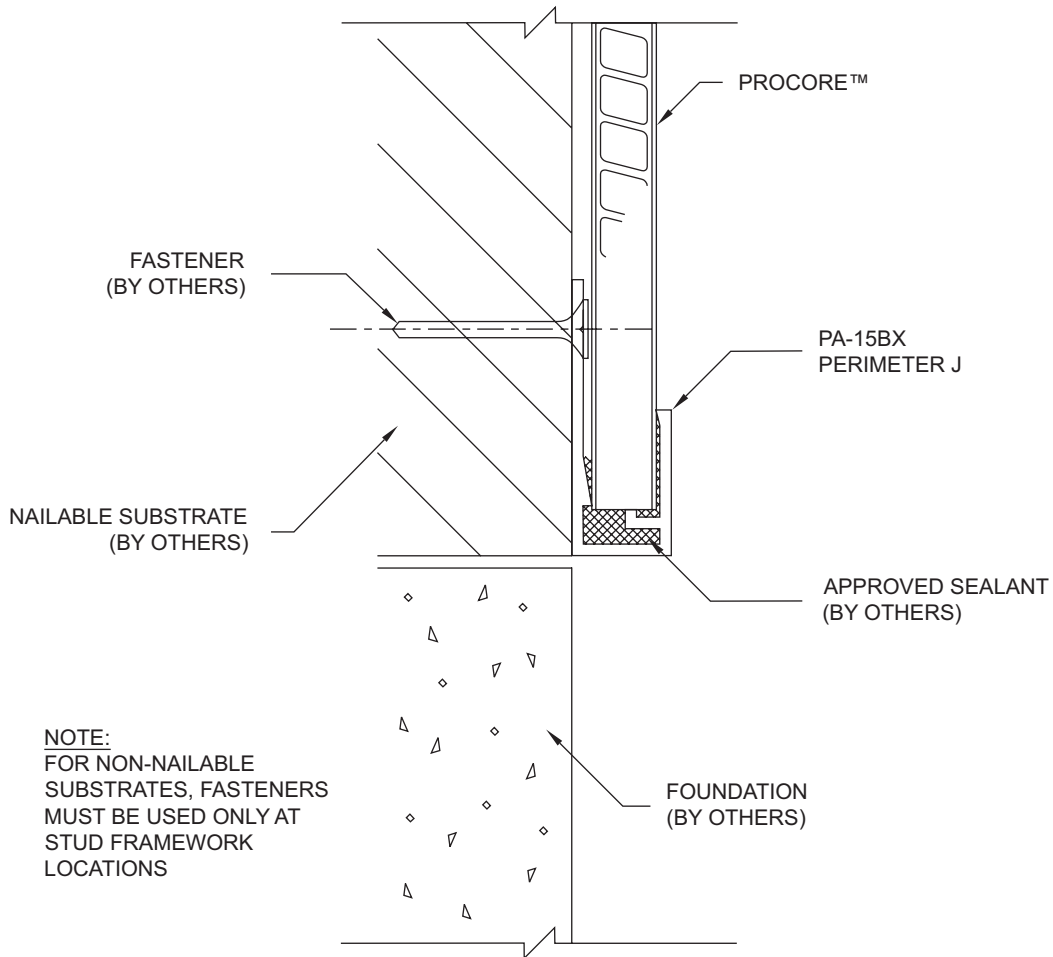
©2003 Citadel Architectural Products, Inc. An ISO 9001:2000 Registered Company.
 ProCore™ is a trademark of Citadel Architectural Products, Inc.
 Printed In The U.S.A. Form # 7.03.TD1.B Rev. (11/06) Supersedes (06/03)



DRAWING NAME: PRO 1PC 1 System Isometric.dwg			Note: This detail represents the latest recommendations from Citadel Architectural Products, Inc. It is presented in good faith and is subject to change without notice. Citadel Architectural Products, Inc. accepts no responsibility for the end use of this detail. For conditions not shown, consult our Technical Staff at (800) 446-8828 for review of specific details.
SYSTEM: One Piece Moldings	REVISED: 11/06	SCALE: n/a	



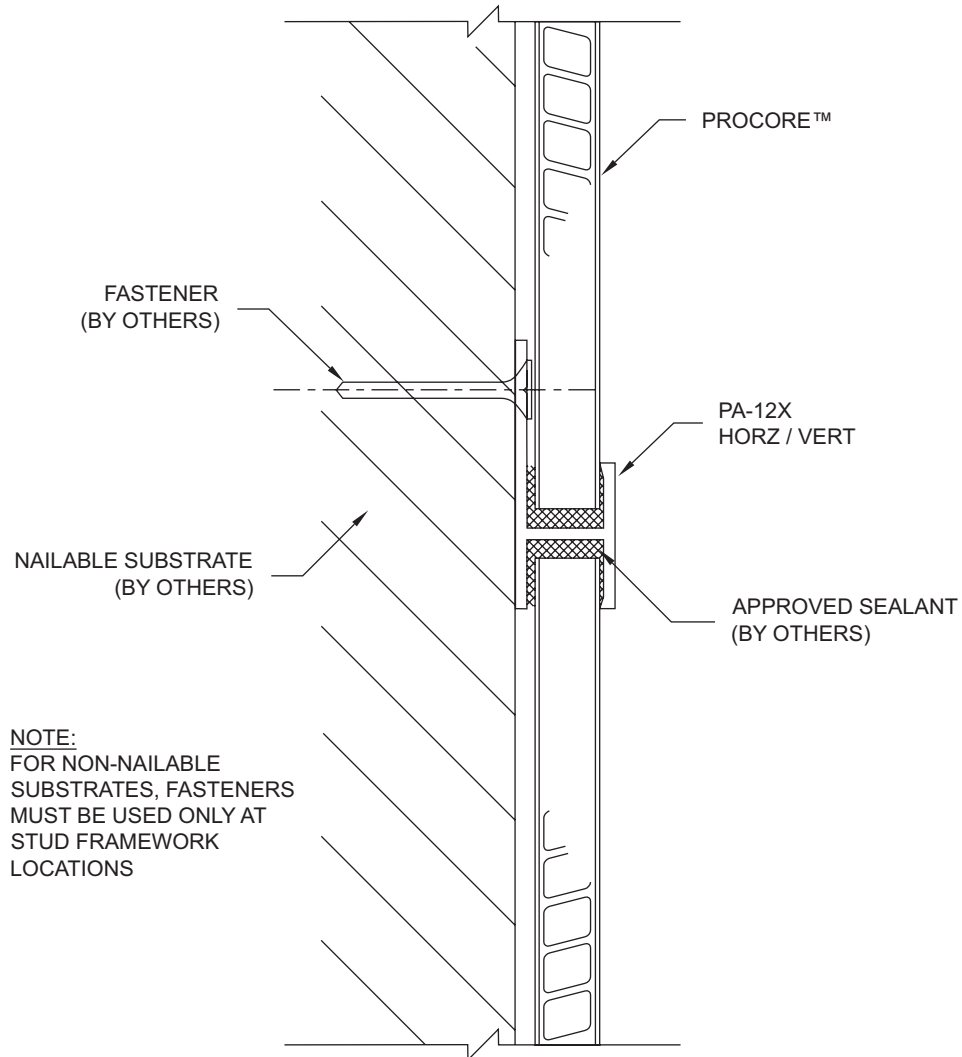
<p>Note: This detail represents the latest recommendations from Citadel Architectural Products, Inc. It is presented in good faith and is subject to change without notice. Citadel Architectural Products, Inc. accepts no responsibility for the end use of this detail. For conditions not shown, consult our Technical Staff at (800) 446-8828 for review of specific details.</p>	<p>DRAWING NAME: PRO 1PC 2 Molding Dimensions.dwg</p>		
	<p>SYSTEM: One Piece Moldings</p>	<p>REVISED: 11/06</p>	<p>SCALE: 1:1</p>



3

BASE / FOUNDATION

<p>DRAWING NAME: PRO 1PC 3 Base Foundation.dwg</p>			<p>Note: This detail represents the latest recommendations from Citadel Architectural Products, Inc. It is presented in good faith and is subject to change without notice. Citadel Architectural Products, Inc. accepts no responsibility for the end use of this detail. For conditions not shown, consult our Technical Staff at (800) 446-8828 for review of specific details.</p>
<p>SYSTEM: One Piece Moldings</p>	<p>REVISED: 11/06</p>	<p>SCALE: 1:1</p>	



4 HORIZONTAL / VERTICAL

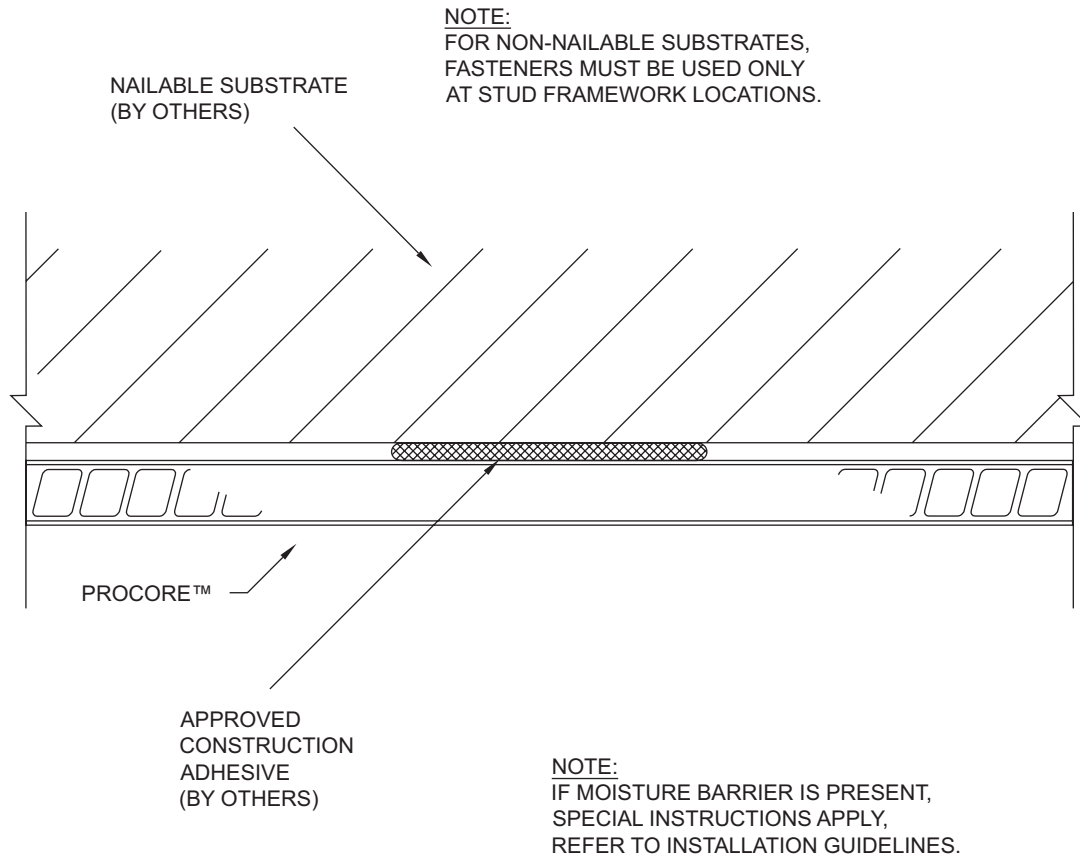
Note: This detail represents the latest recommendations from Citadel Architectural Products, Inc. It is presented in good faith and is subject to change without notice. Citadel Architectural Products, Inc. accepts no responsibility for the end use of this detail. For conditions not shown, consult our Technical Staff at (800) 446-8828 for review of specific details.

DRAWING NAME:
PRO 1PC 4 Horizontal Vertical.dwg

SYSTEM:
One Piece Molding

REVISED:
11/06

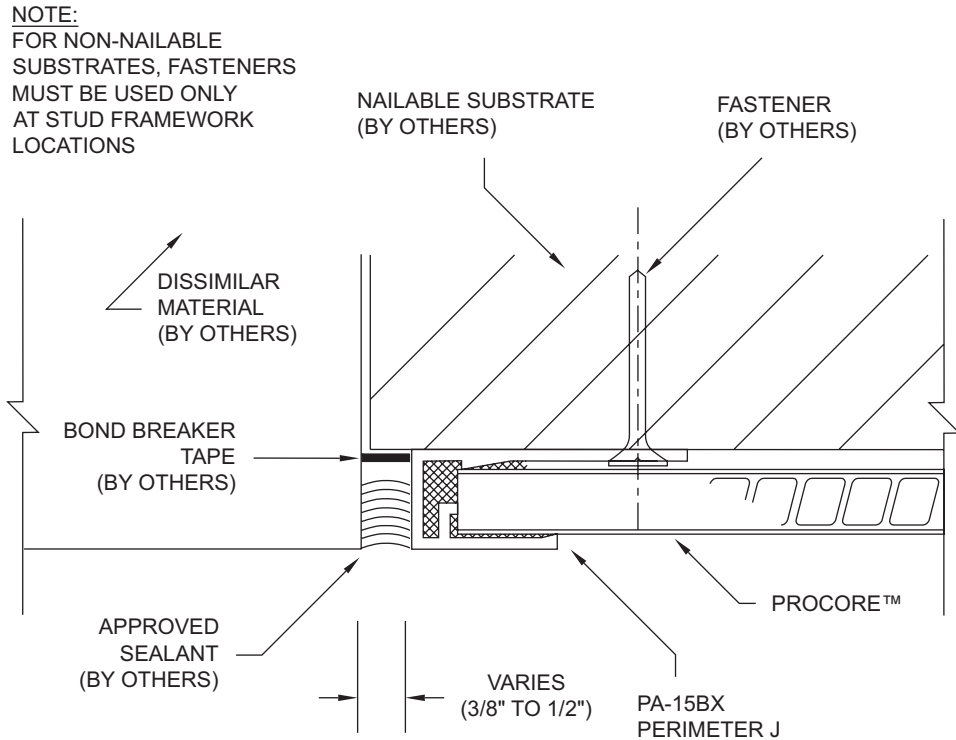
SCALE:
1:1



5

INTERMEDIATE CONNECTION

<p>DRAWING NAME: PRO 1PC 5 Intermediate Connection.dwg</p>			<p>Note: This detail represents the latest recommendations from Citadel Architectural Products, Inc. It is presented in good faith and is subject to change without notice. Citadel Architectural Products, Inc. accepts no responsibility for the end use of this detail. For conditions not shown, consult our Technical Staff at (800) 446-8828 for review of specific details.</p>
<p>SYSTEM: One Piece Moldings</p>	<p>REVISED: 11/06</p>	<p>SCALE: 1:1</p>	



6A

DISSIMILAR MATERIAL, OPTION 1

Note: This detail represents the latest recommendations from Citadel Architectural Products, Inc. It is presented in good faith and is subject to change without notice. Citadel Architectural Products, Inc. accepts no responsibility for the end use of this detail. For conditions not shown, consult our Technical Staff at (800) 446-8828 for review of specific details.

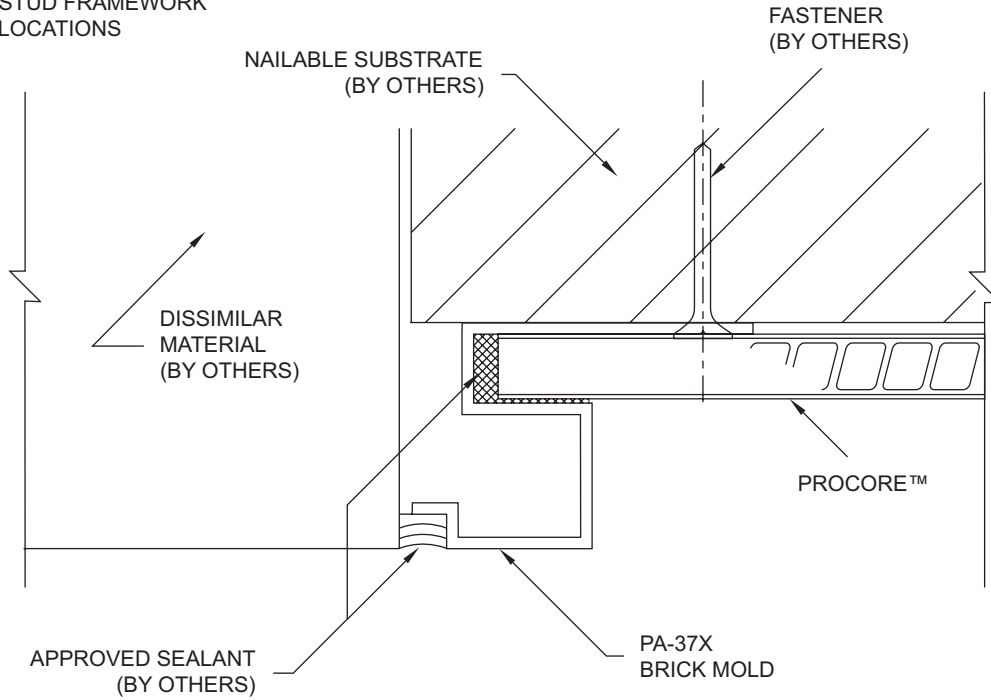
DRAWING NAME:
PRO 1PC 6A Dissimilar Material Option 1.dwg

SYSTEM:
One Piece Moldings

REVISED:
11/06

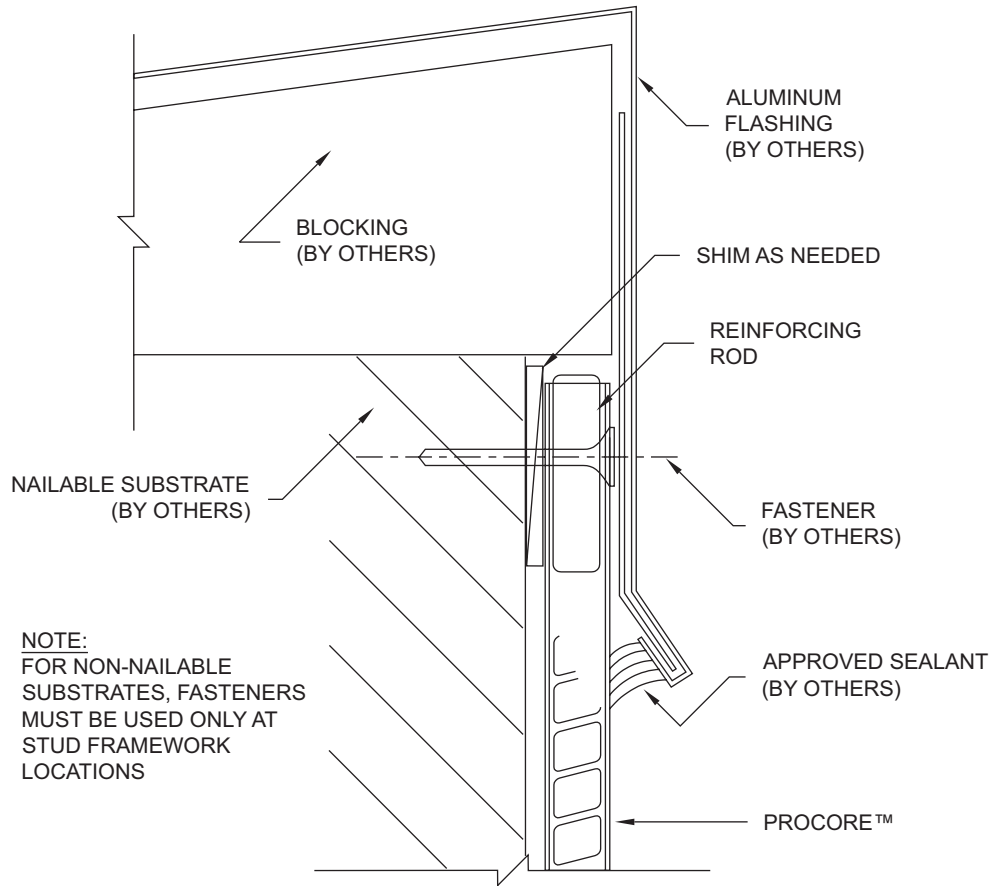
SCALE:
1:1

NOTE:
 FOR NON-NAILABLE
 SUBSTRATES, FASTENERS
 MUST BE USED ONLY AT
 STUD FRAMEWORK
 LOCATIONS



DISSIMILAR MATERIAL, OPTION 2

<p>DRAWING NAME: PRO 1PC 6B Dissimilar Material Option 2.dwg</p>			<p>Note: This detail represents the latest recommendations from Citadel Architectural Products, Inc. It is presented in good faith and is subject to change without notice. Citadel Architectural Products, Inc. accepts no responsibility for the end use of this detail. For conditions not shown, consult our Technical Staff at (800) 446-8828 for review of specific details.</p>
<p>SYSTEM: One Piece Moldings</p>	<p>REVISED: 11/06</p>	<p>SCALE: 1:1</p>	



7 PARAPET

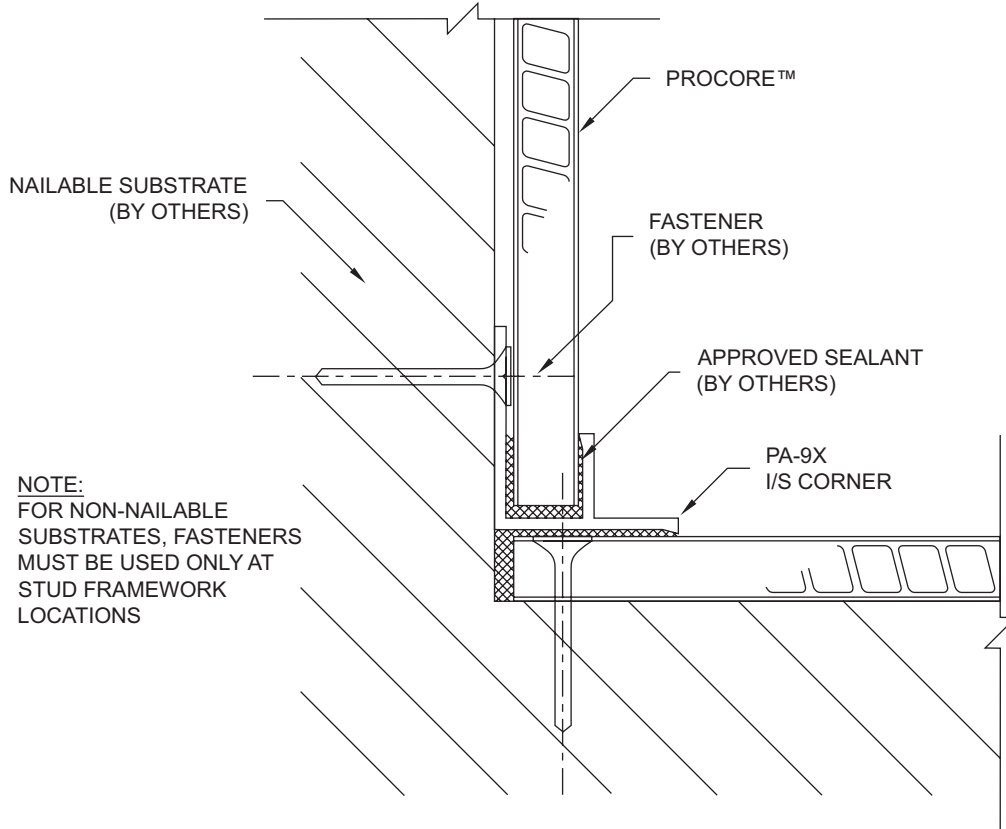
Note: This detail represents the latest recommendations from Citadel Architectural Products, Inc. It is presented in good faith and is subject to change without notice. Citadel Architectural Products, Inc. accepts no responsibility for the end use of this detail. For conditions not shown, consult our Technical Staff at (800) 446-8828 for review of specific details.

DRAWING NAME:
PRO 1PC 7 Parapet.dwg

SYSTEM:
One Piece Moldings

REVISED:
11/06

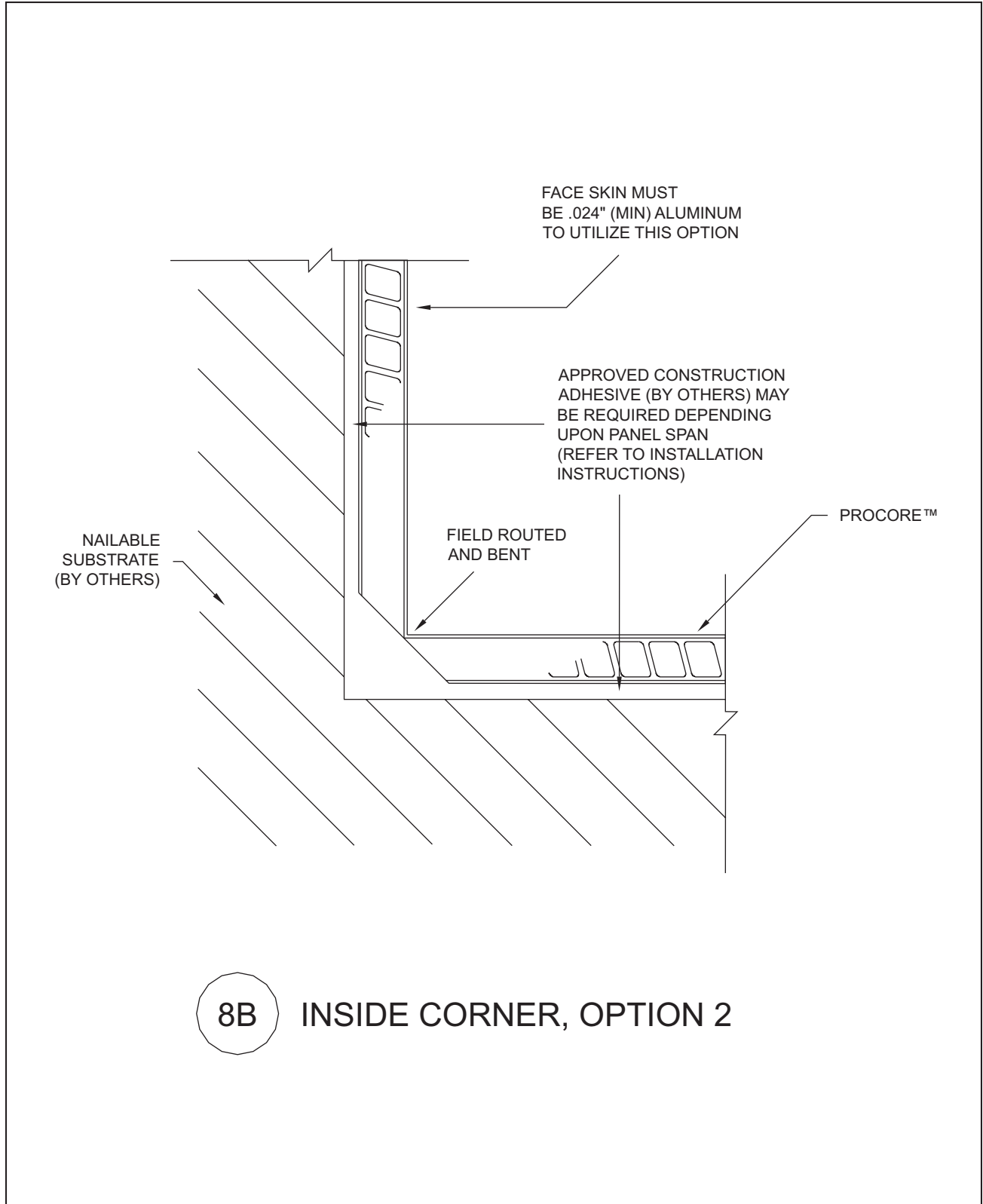
SCALE:
1:1



8A

INSIDE CORNER, OPTION 1

<p>DRAWING NAME: PRO 1PC 8A Inside Corner Option 1.dwg</p>			<p>Note: This detail represents the latest recommendations from Citadel Architectural Products, Inc. It is presented in good faith and is subject to change without notice. Citadel Architectural Products, Inc. accepts no responsibility for the end use of this detail. For conditions not shown, consult our Technical Staff at (800) 446-8828 for review of specific details.</p>
<p>SYSTEM: One Piece Moldings</p>	<p>REVISED: 11/06</p>	<p>SCALE: 1:1</p>	



8B

INSIDE CORNER, OPTION 2

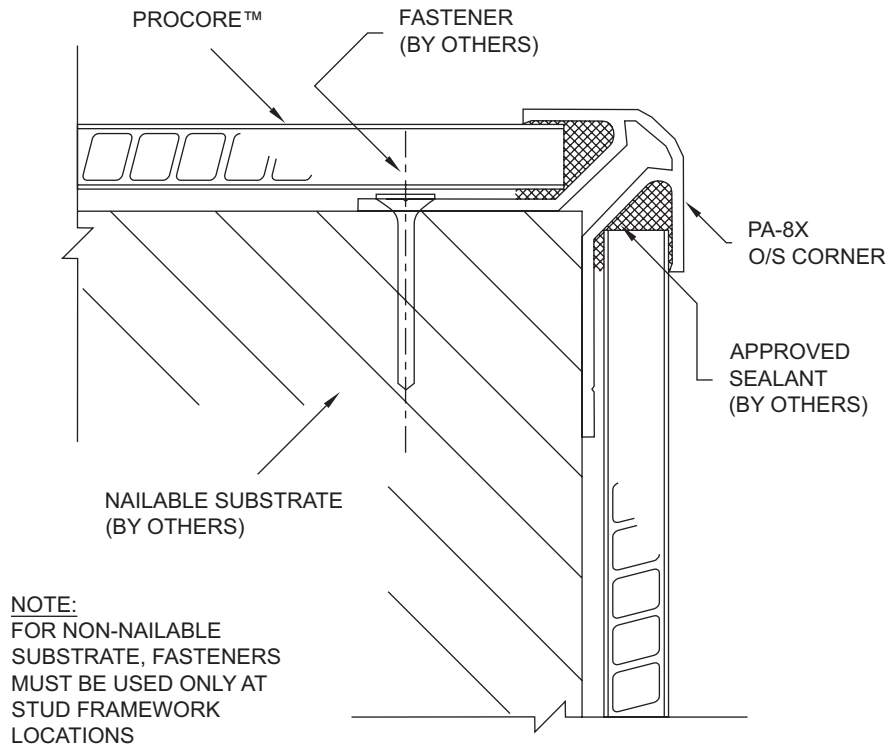
Note: This detail represents the latest recommendations from Citadel Architectural Products, Inc. It is presented in good faith and is subject to change without notice. Citadel Architectural Products, Inc. accepts no responsibility for the end use of this detail. For conditions not shown, consult our Technical Staff at (800) 446-8828 for review of specific details.

DRAWING NAME:
PRO 1PC 8B Inside Corner Option 2.dwg

SYSTEM:
One Piece Moldings

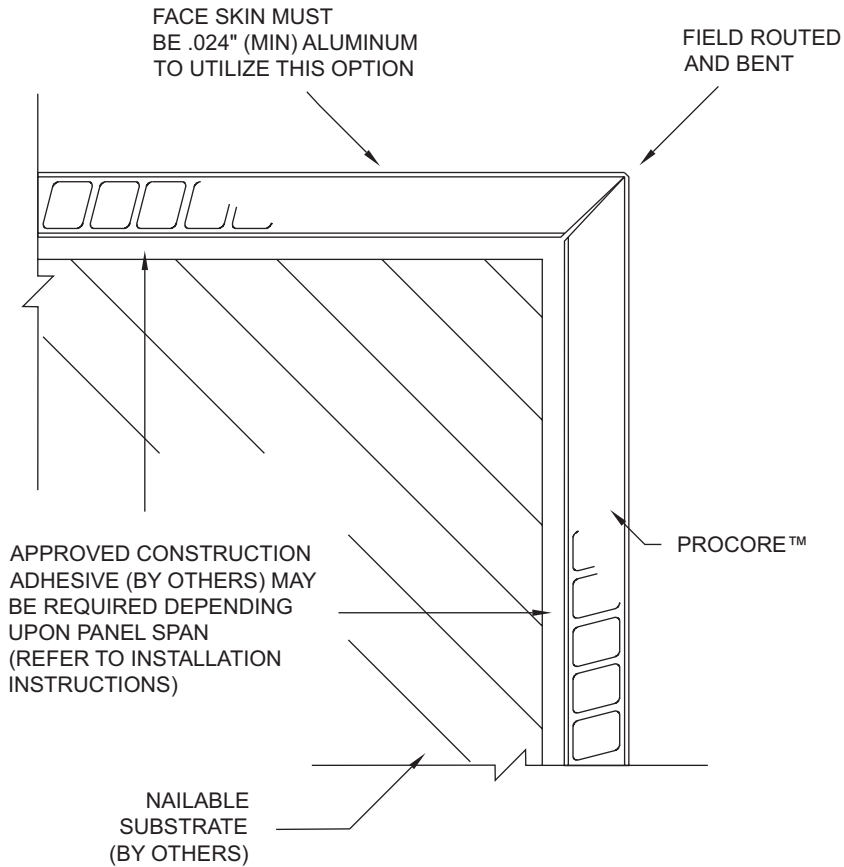
REVISED:
11/06

SCALE:
1:1



9A OUTSIDE CORNER, OPTION 1

DRAWING NAME: PRO 1PC 9A Outside Corner Option 1.dwg			Note: This detail represents the latest recommendations from Citadel Architectural Products, Inc. It is presented in good faith and is subject to change without notice. Citadel Architectural Products, Inc. accepts no responsibility for the end use of this detail. For conditions not shown, consult our Technical Staff at (800) 446-8828 for review of specific details.
SYSTEM: One Piece Moldings	REVISED: 11/06	SCALE: 1:1	



9B OUTSIDE CORNER, OPTION 2

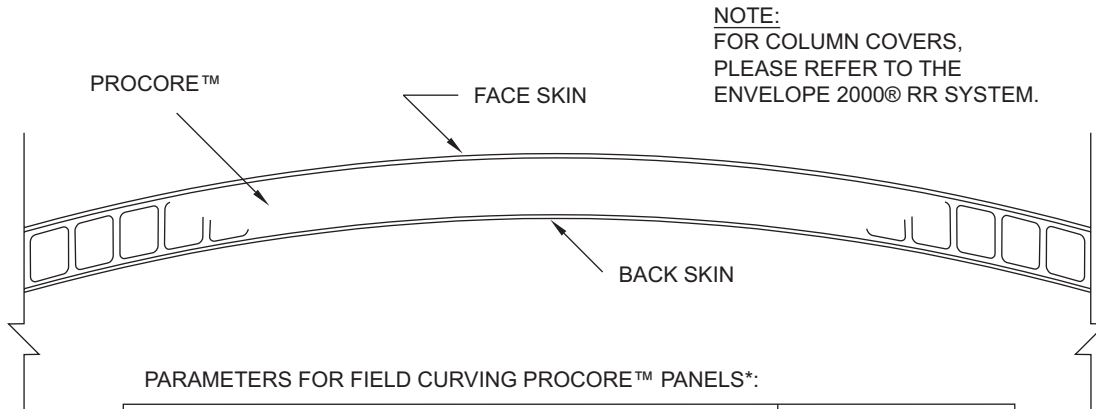
Note: This detail represents the latest recommendations from Citadel Architectural Products, Inc. It is presented in good faith and is subject to change without notice. Citadel Architectural Products, Inc. accepts no responsibility for the end use of this detail. For conditions not shown, consult our Technical Staff at (800) 446-8828 for review of specific details.

DRAWING NAME:
PRO 1PC 9B Outside Corner Option 2.dwg

SYSTEM:
One Piece Moldings

REVISED:
11/06

SCALE:
1:1



PARAMETERS FOR FIELD CURVING PROCORE™ PANELS*:

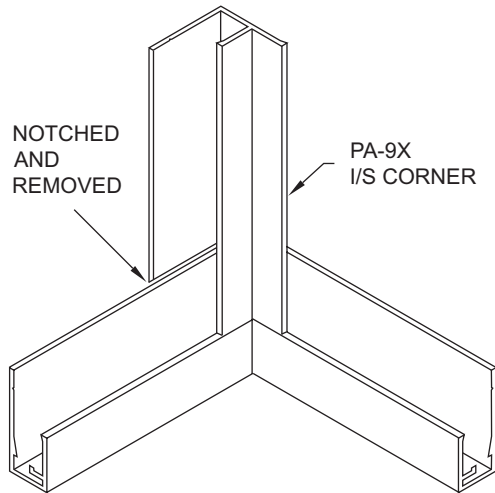
BACKER MATERIAL**:	MINIMUM RADIUS:
STANDARD .024" SMOOTH ALUMINUM	50 FT
.030" SMOOTH FIBERGLASS REINFORCED PLASTIC (FRP)	8 FT
.008" FIBERGLASS REINFORCED KRAFT/FOIL SCRIM	2 FT

* ALL MOLDINGS MUST BE FACTORY CURVED. HOWEVER, FACTORY CURVING NOT RECOMMENDED FOR PROCORE™ PANELS.
 ** FACE MATERIAL MUST BE .024" (MIN) ALUMINUM.

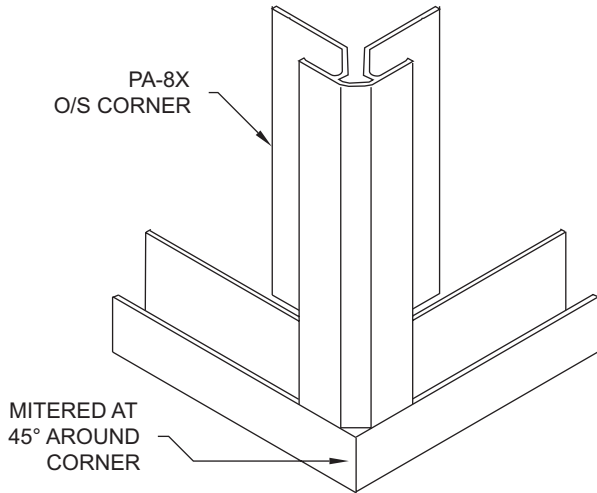
NOTE:
 FOR SPECIFIC PROJECT REQUIREMENTS, CONTACT CITADEL.

10
CURVED SECTION

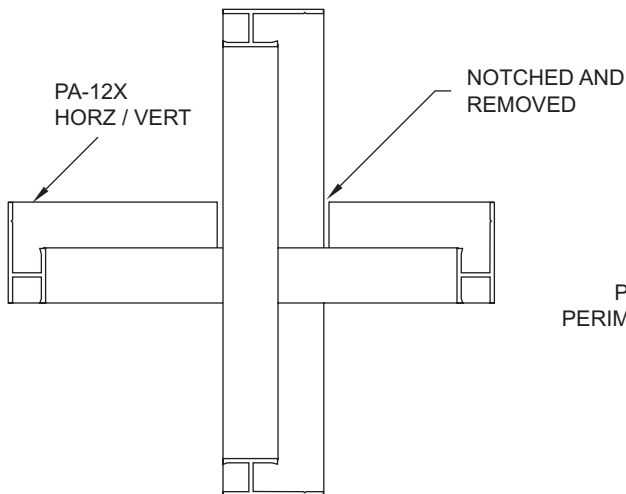
DRAWING NAME: PRO 1PC 10 Curved Section.dwg			Note: This detail represents the latest recommendations from Citadel Architectural Products, Inc. It is presented in good faith and is subject to change without notice. Citadel Architectural Products, Inc. accepts no responsibility for the end use of this detail. For conditions not shown, consult our Technical Staff at (800) 446-8828 for review of specific details.
SYSTEM: One Piece Moldings	REVISED: 11/06	SCALE: n/a	



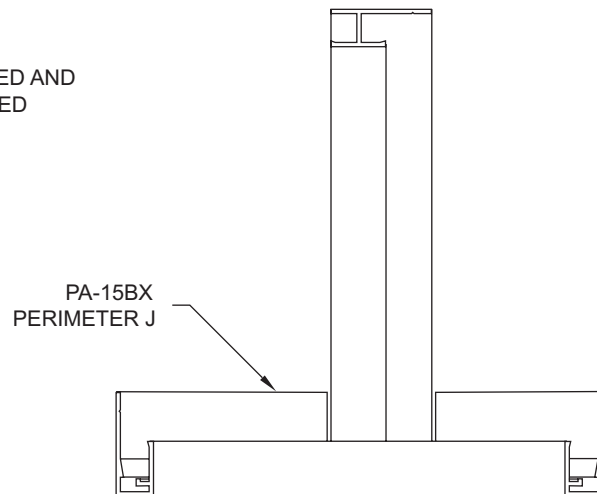
11 BASE INSIDE CORNER



12 BASE OUTSIDE CORNER



13 HORIZONTAL / VERTICAL



14 HORZ / VERT TERMINATION

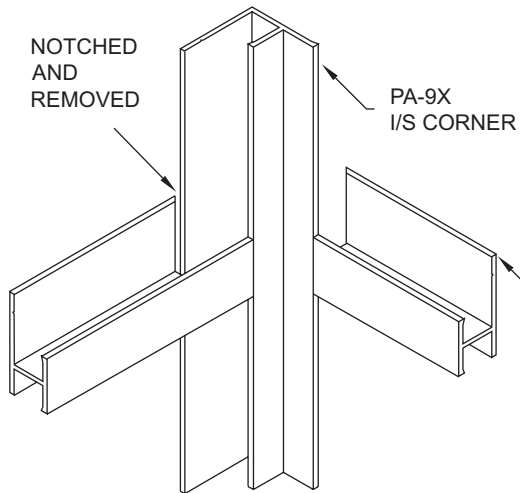
Note: This detail represents the latest recommendations from Citadel Architectural Products, Inc. It is presented in good faith and is subject to change without notice. Citadel Architectural Products, Inc. accepts no responsibility for the end use of this detail. For conditions not shown, consult our Technical Staff at (800) 446-8828 for review of specific details.

DRAWING NAME:
PRO 1PC Intersections 11 To 14.dwg

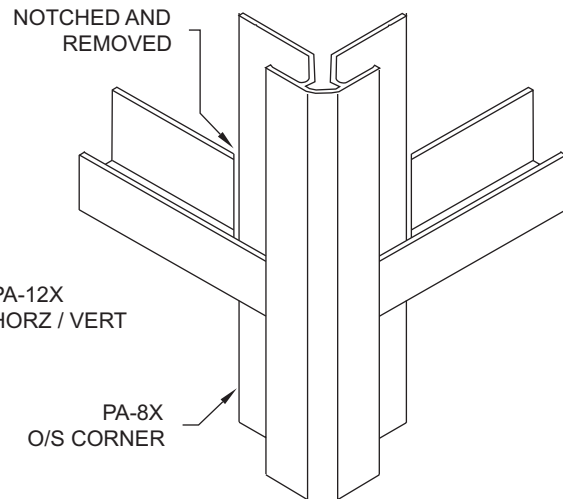
SYSTEM:
One Piece Moldings

REVISED:
11/06

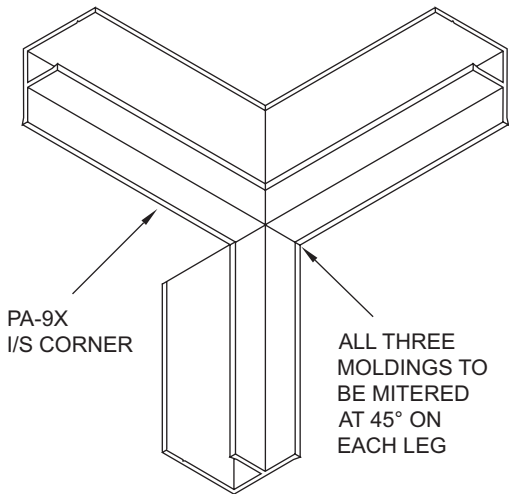
SCALE:
n/a



15 INSIDE CORNER

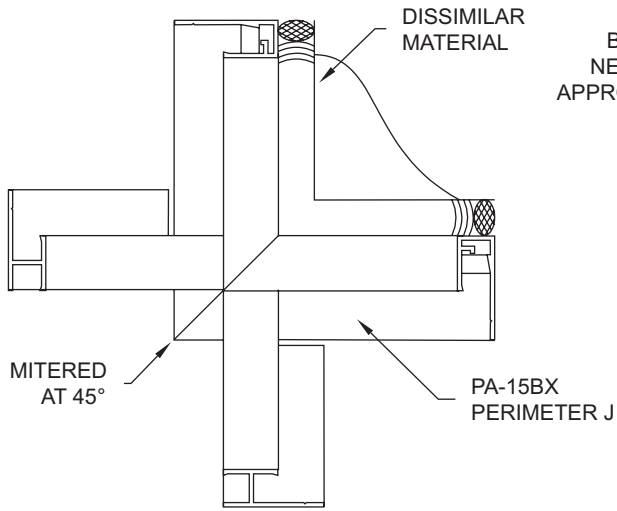


16 OUTSIDE CORNER

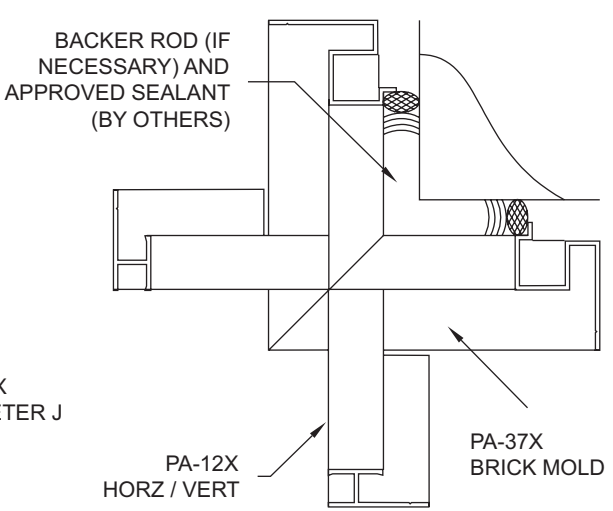


17 THREE WAY INSIDE CORNER

<p>DRAWING NAME: PRO 1PC Intersections 15 To 17.dwg</p>			<p>Note: This detail represents the latest recommendations from Citadel Architectural Products, Inc. It is presented in good faith and is subject to change without notice. Citadel Architectural Products, Inc. accepts no responsibility for the end use of this detail. For conditions not shown, consult our Technical Staff at (800) 446-8828 for review of specific details.</p>
<p>SYSTEM: One Piece Moldings</p>	<p>REVISED: 11/06</p>	<p>SCALE: n/a</p>	



18A DISSIMILAR MATERIAL CORNER, OPT. 1



18B DISSIMILAR MATERIAL CORNER, OPT. 2

Note: This detail represents the latest recommendations from Citadel Architectural Products, Inc. It is presented in good faith and is subject to change without notice. Citadel Architectural Products, Inc. accepts no responsibility for the end use of this detail. For conditions not shown, consult our Technical Staff at (800) 446-8828 for review of specific details.

DRAWING NAME:
PRO 1PC Intersections 18A To 18B.dwg

SYSTEM:
One Piece Moldings

REVISED:
11/06

SCALE:
n/a