

Typical Details: Rout & Return System (RR)



GENERAL DETAILS

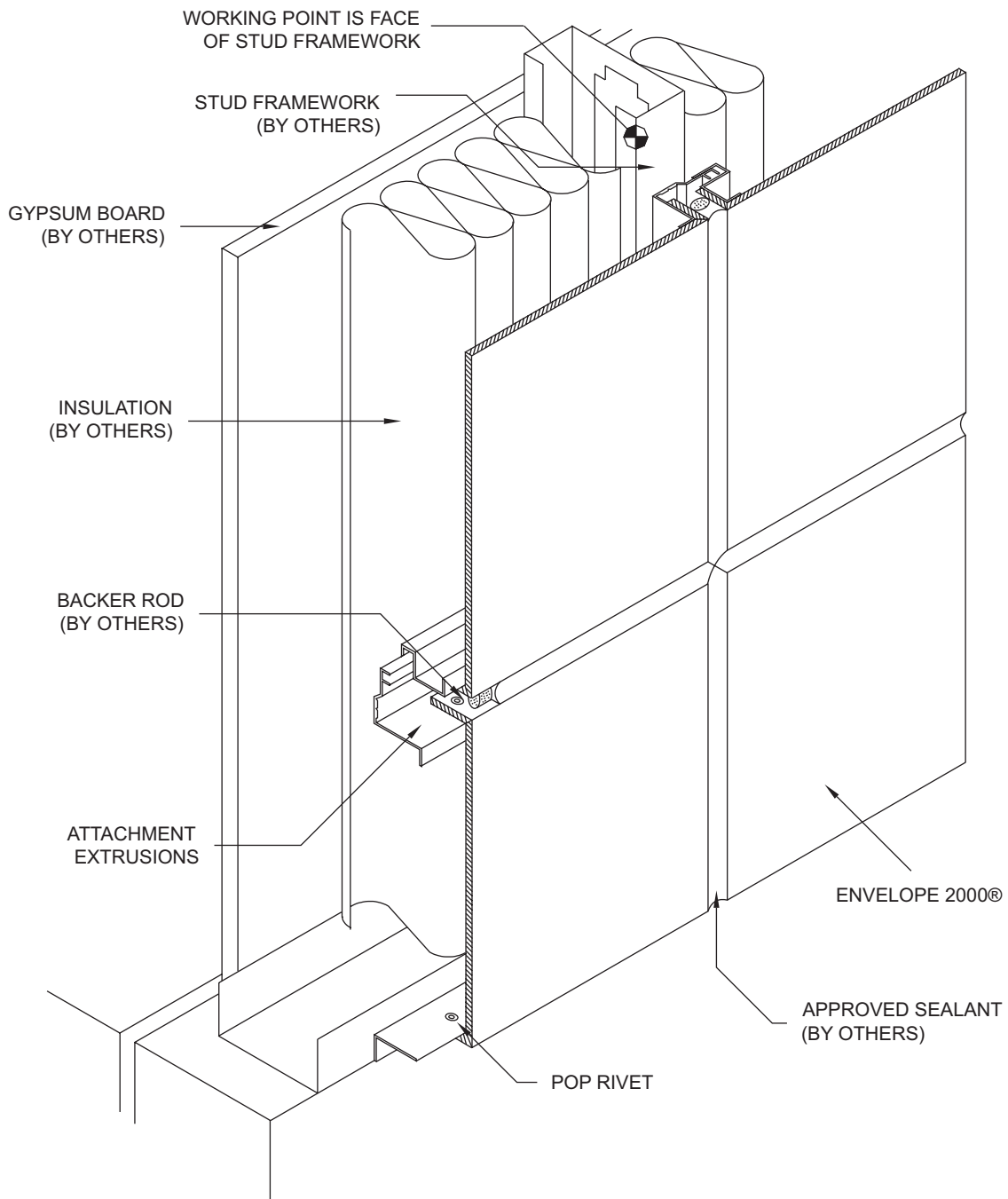
- 1: SYSTEM ISOMETRIC
- 2A - B: ATTACHMENT EXTRUSIONS

SECTION DETAILS

- 3: BASE / FOUNDATION
- 4: HORIZONTAL / VERTICAL
- 5: DISSIMILAR MATERIAL

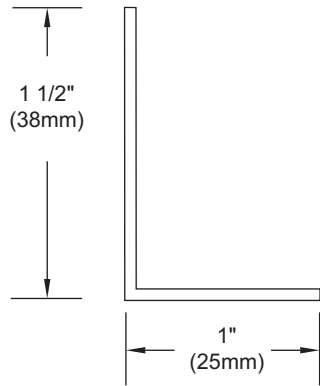
- 6: PARAPET
- 7: INSIDE CORNER
- 8: OUTSIDE CORNER
- 9: COLUMN COVER

©2003 Citadel Architectural Products, Inc. An ISO 9001:2000 Registered Company.
 Envelope 2000® is a registered trademark of Citadel Architectural Products, Inc.
 Printed in The U.S.A. Form # 7.05.TD2.B Rev. (11/06) Supersedes (06/03)

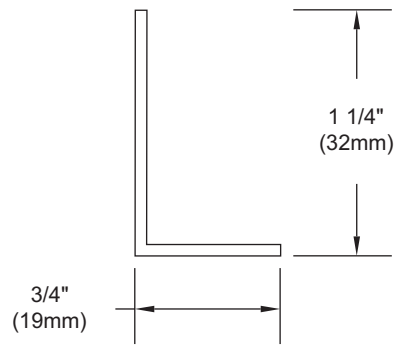


1 SYSTEM ISOMETRIC

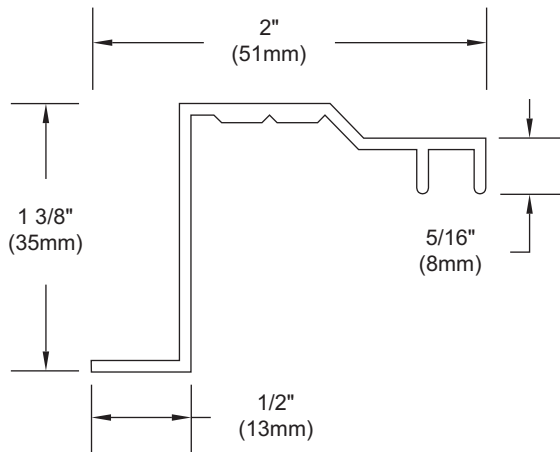
<p>DRAWING NAME: E2K RR 1 System Isometric.dwg</p>			<p>Note: This detail represents the latest recommendations from Citadel Architectural Products, Inc. It is presented in good faith and is subject to change without notice. Citadel Architectural Products, Inc. accepts no responsibility for the end use of this detail. For conditions not shown, consult our Technical Staff at (800) 446-8828 for review of specific details.</p>
<p>SYSTEM: Rout & Return (RR)</p>	<p>REVISED: 11/06</p>	<p>SCALE: n/a</p>	



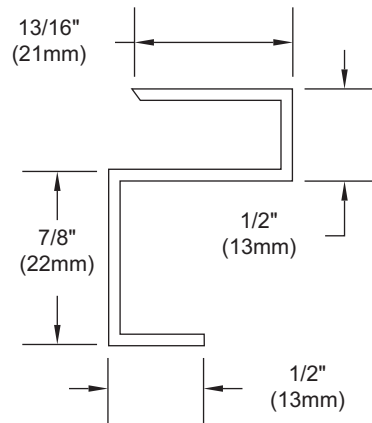
RR-103
PANEL CLIP



RR-104
END RUN ANGLE



RR-121
MALE ANGLE



RR-122
FEMALE ANGLE



ATTACHMENT EXTRUSIONS, PAGE 1

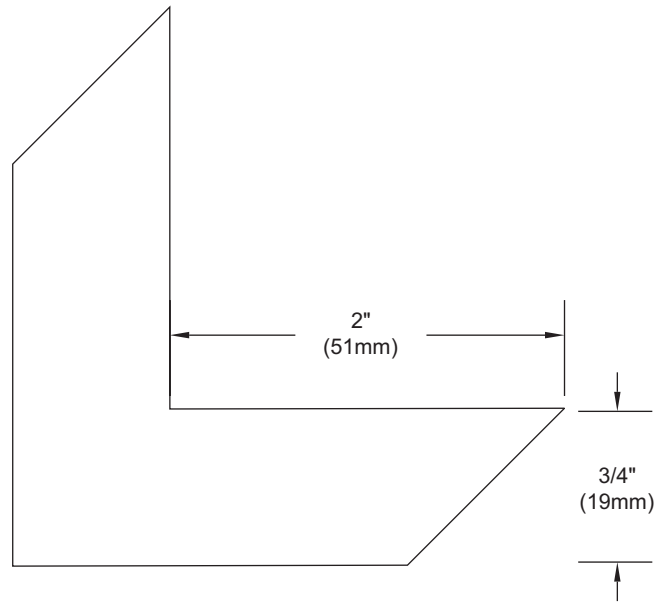
Note: This detail represents the latest recommendations from Citadel Architectural Products, Inc. It is presented in good faith and is subject to change without notice. Citadel Architectural Products, Inc. accepts no responsibility for the end use of this detail. For conditions not shown, consult our Technical Staff at (800) 446-8828 for review of specific details.

DRAWING NAME:
E2K RR 2A Attachment Extrusions Page 1.dwg

SYSTEMS:
Rout & Return (RR)

REVISED:
11/06

SCALE:
1:1

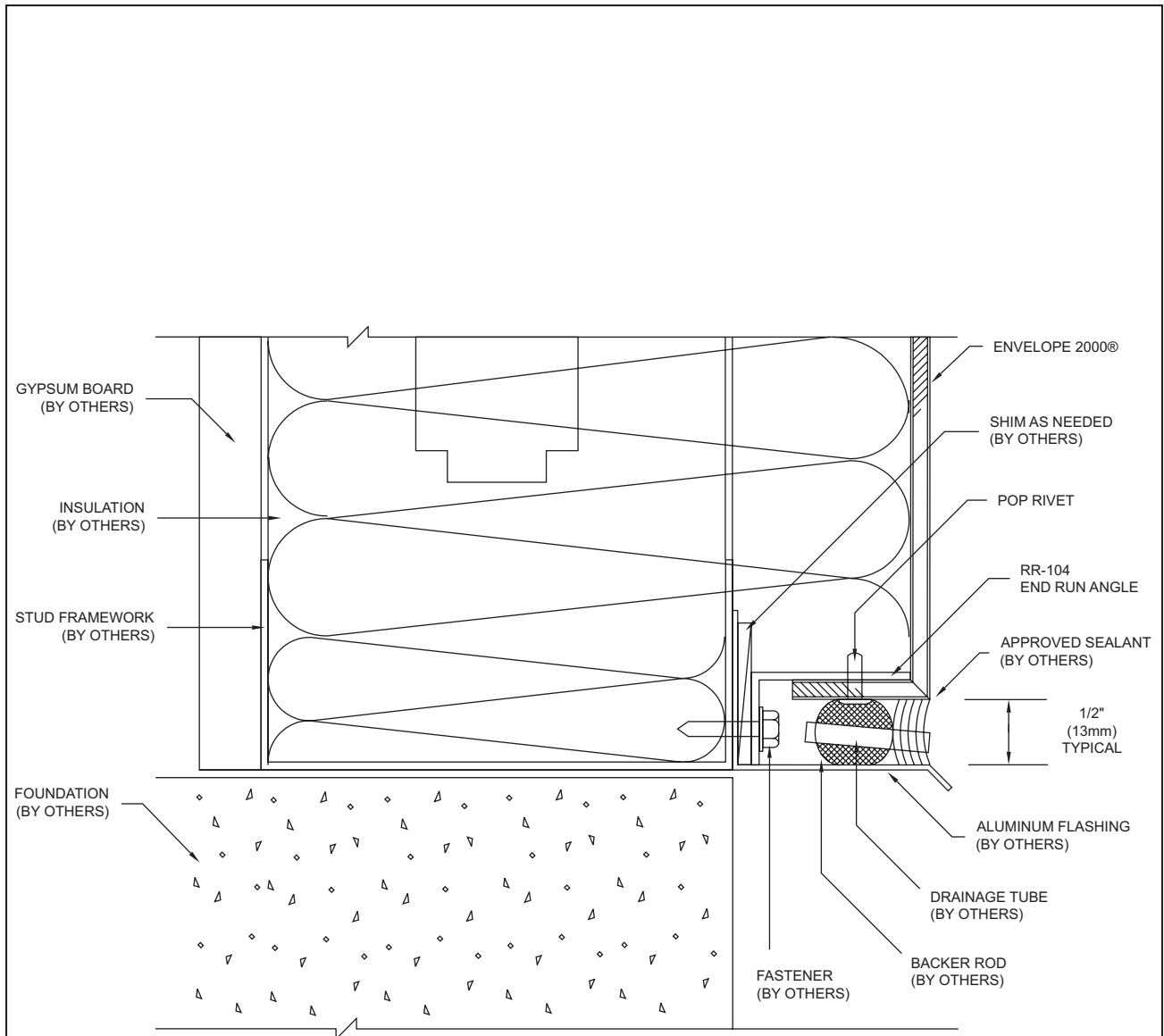


PF-204
REINFORCEMENT



ATTACHMENT EXTRUSIONS, PAGE 2

DRAWING NAME: E2K RR 2B Attachment Extrusions Page 2.dwg		<small>Note: This detail represents the latest recommendations from Citadel Architectural Products, Inc. It is presented in good faith and is subject to change without notice. Citadel Architectural Products, Inc. accepts no responsibility for the end use of this detail. For conditions not shown, consult our Technical Staff at (800) 446-8828 for review of specific details.</small>
SYSTEM: Rout & Return (RR)	REVISED: 11/06	



3 BASE / FOUNDATION

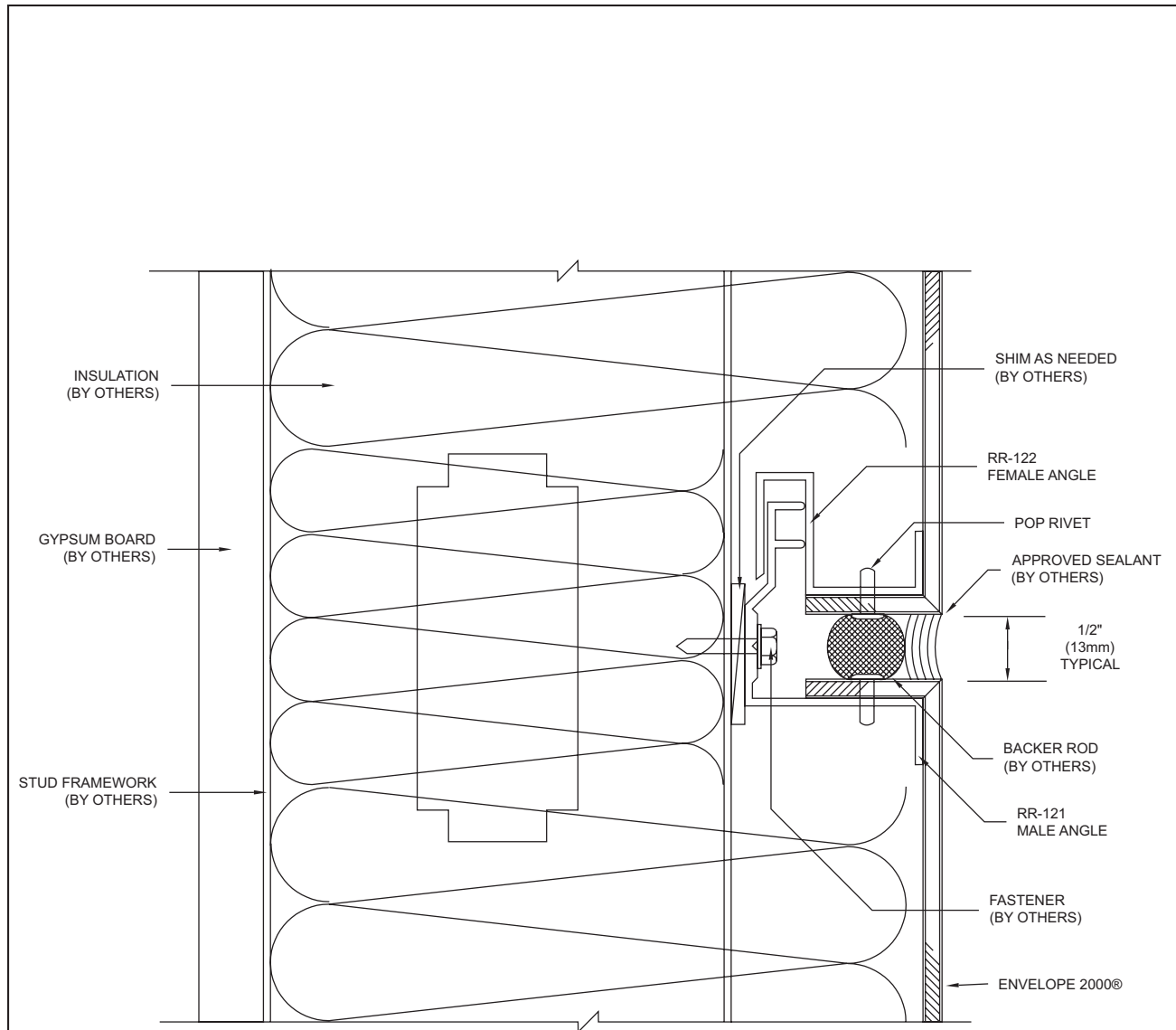
Note: This detail represents the latest recommendations from Citadel Architectural Products, Inc. It is presented in good faith and is subject to change without notice. Citadel Architectural Products, Inc. accepts no responsibility for the end use of this detail. For conditions not shown, consult our Technical Staff at (800) 446-8828 for review of specific details.

DRAWING NAME:
E2K RR 3 Base Foundation.dwg

SYSTEM:
Rout & Return (RR)

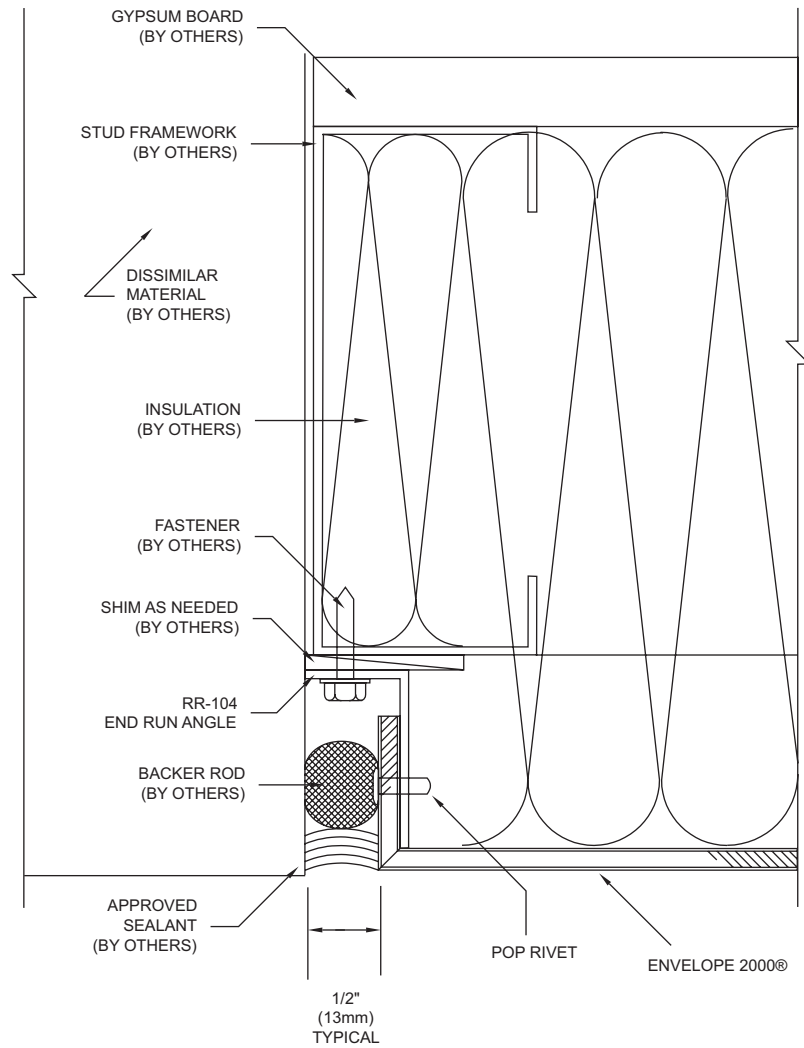
REVISED:
11/06

SCALE:
3:4



4 HORIZONTAL / VERTICAL

DRAWING NAME: E2K RR 4 Horizontal Vertical.dwg			Note: This detail represents the latest recommendations from Citadel Architectural Products, Inc. It is presented in good faith and is subject to change without notice. Citadel Architectural Products, Inc. accepts no responsibility for the end use of this detail. For conditions not shown, consult our Technical Staff at (800) 446-8828 for review of specific details.
SYSTEM: Rout & Return (RR)	REVISED: 11/06	SCALE: 3:4	



5 DISSIMILAR MATERIAL

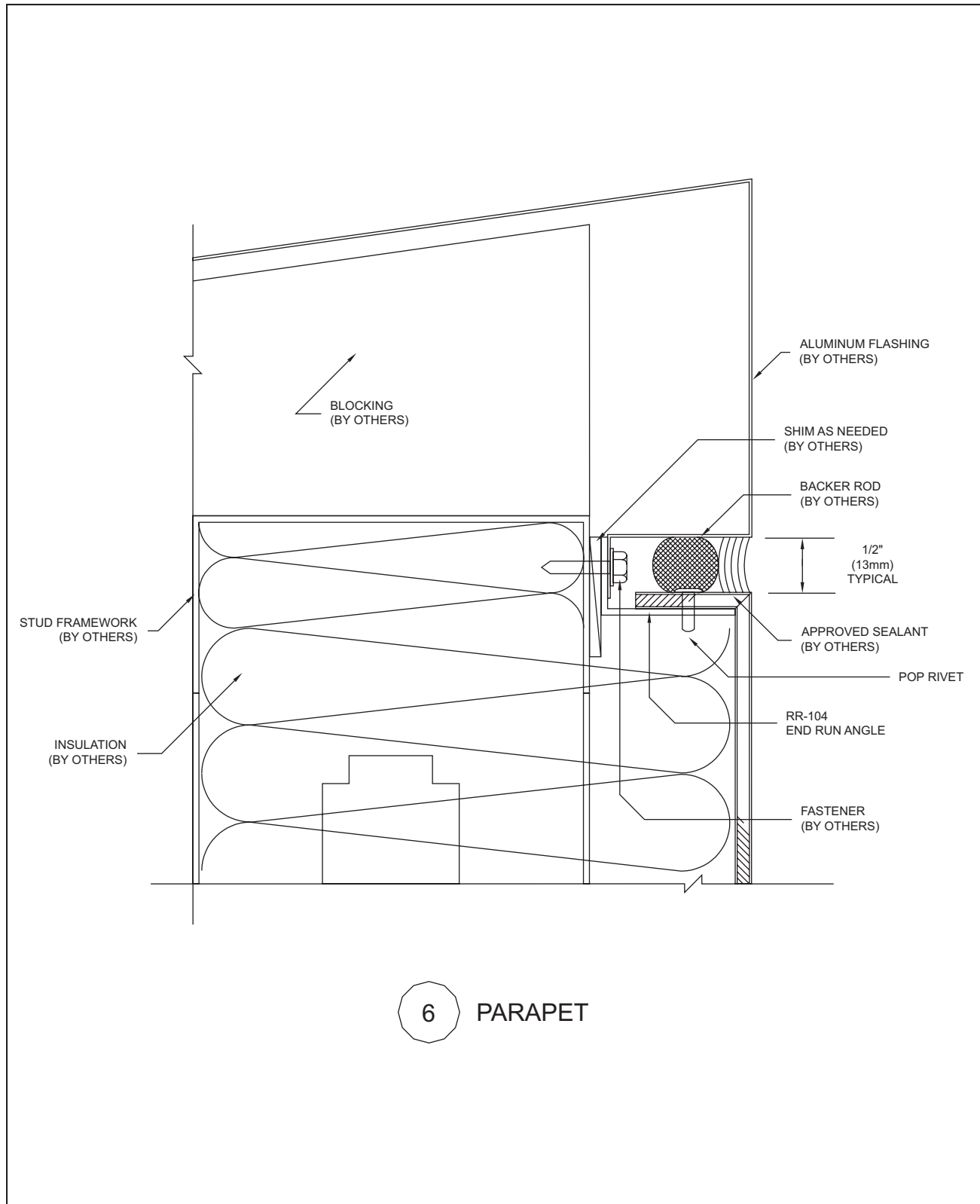
Note: This detail represents the latest recommendations from Citadel Architectural Products, Inc. It is presented in good faith and is subject to change without notice. Citadel Architectural Products, Inc. accepts no responsibility for the end use of this detail. For conditions not shown, consult our Technical Staff at (800) 446-8828 for review of specific details.

DRAWING NAME:
E2K RR 5 Dissimilar Material.dwg

SYSTEM:
Rout & Return (RR)

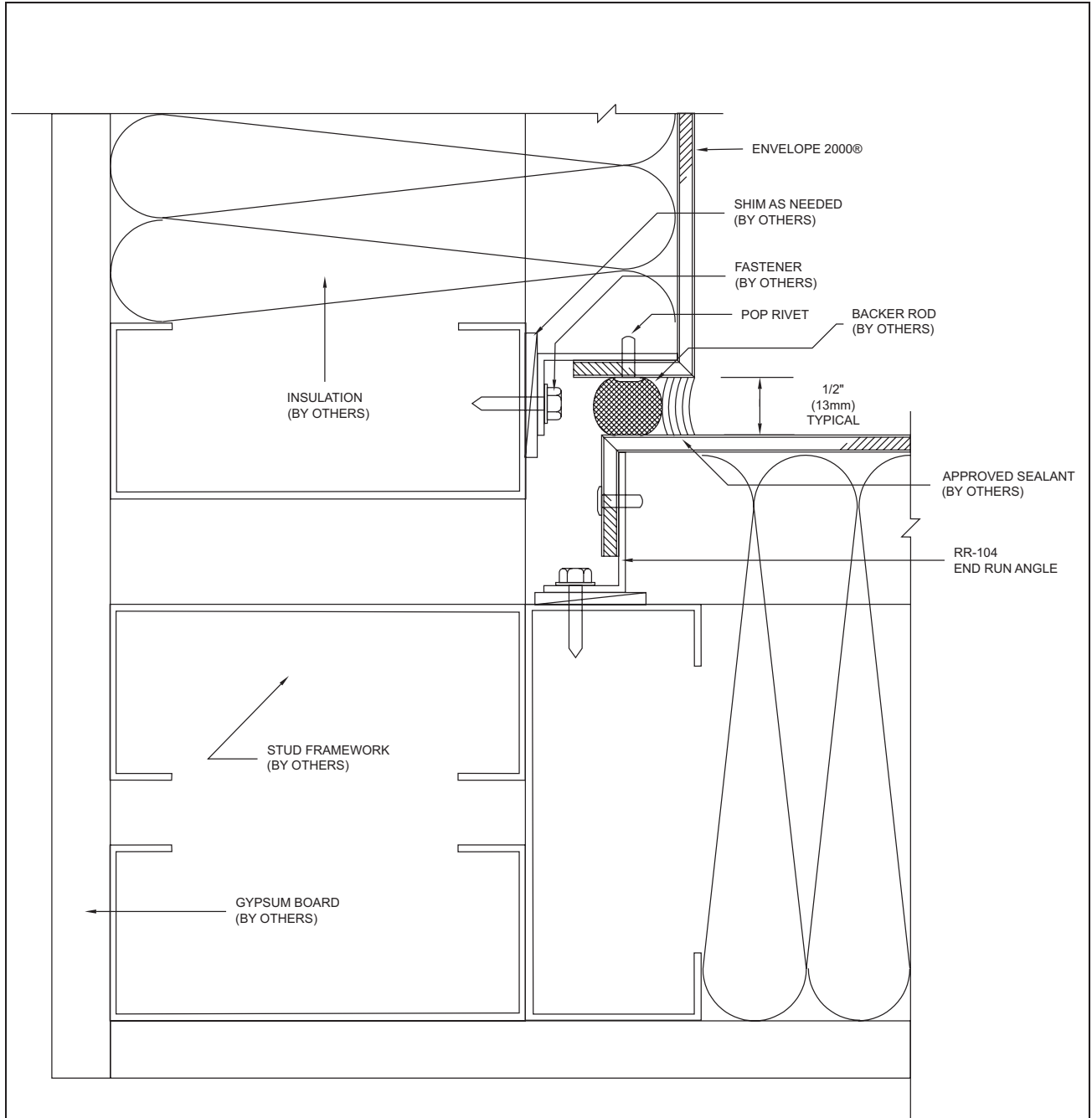
REVISED:
11/06

SCALE:
3:4



6 PARAPET

DRAWING NAME: E2K RR 6 Parapet.dwg			Note: This detail represents the latest recommendations from Citadel Architectural Products, Inc. It is presented in good faith and is subject to change without notice. Citadel Architectural Products, Inc. accepts no responsibility for the end use of this detail. For conditions not shown, consult our Technical Staff at (800) 446-8828 for review of specific details.
SYSTEM: Rout & Return (RR)	REVISED: 11/06	SCALE: 3:4	



7 INSIDE CORNER

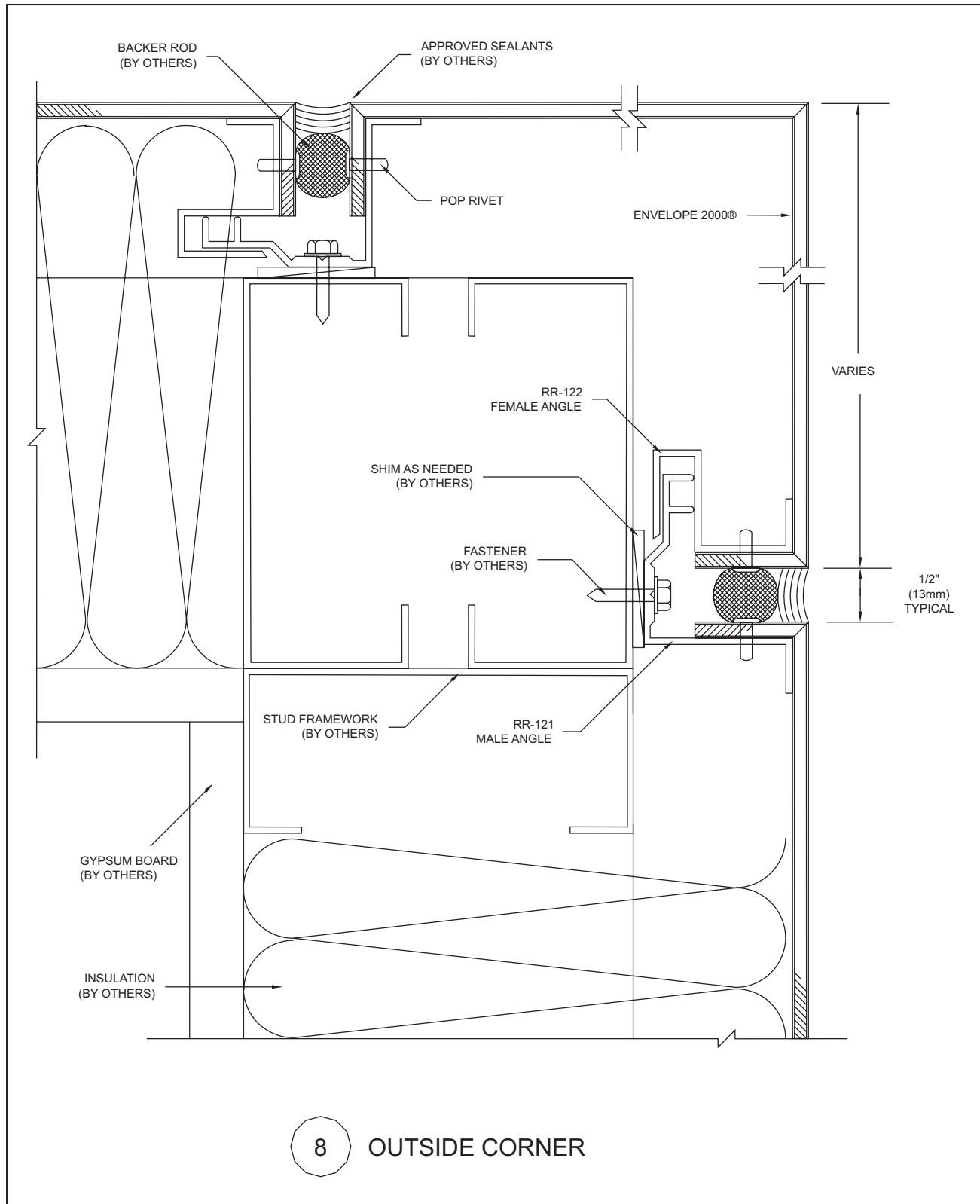
Note: This detail represents the latest recommendations from Citadel Architectural Products, Inc. It is presented in good faith and is subject to change without notice. Citadel Architectural Products, Inc. accepts no responsibility for the end use of this detail. For conditions not shown, consult our Technical Staff at (800) 446-8828 for review of specific details.

DRAWING NAME:
E2K RR 7 Inside Corner.dwg

SYSTEM:
Rout & Return (RR)

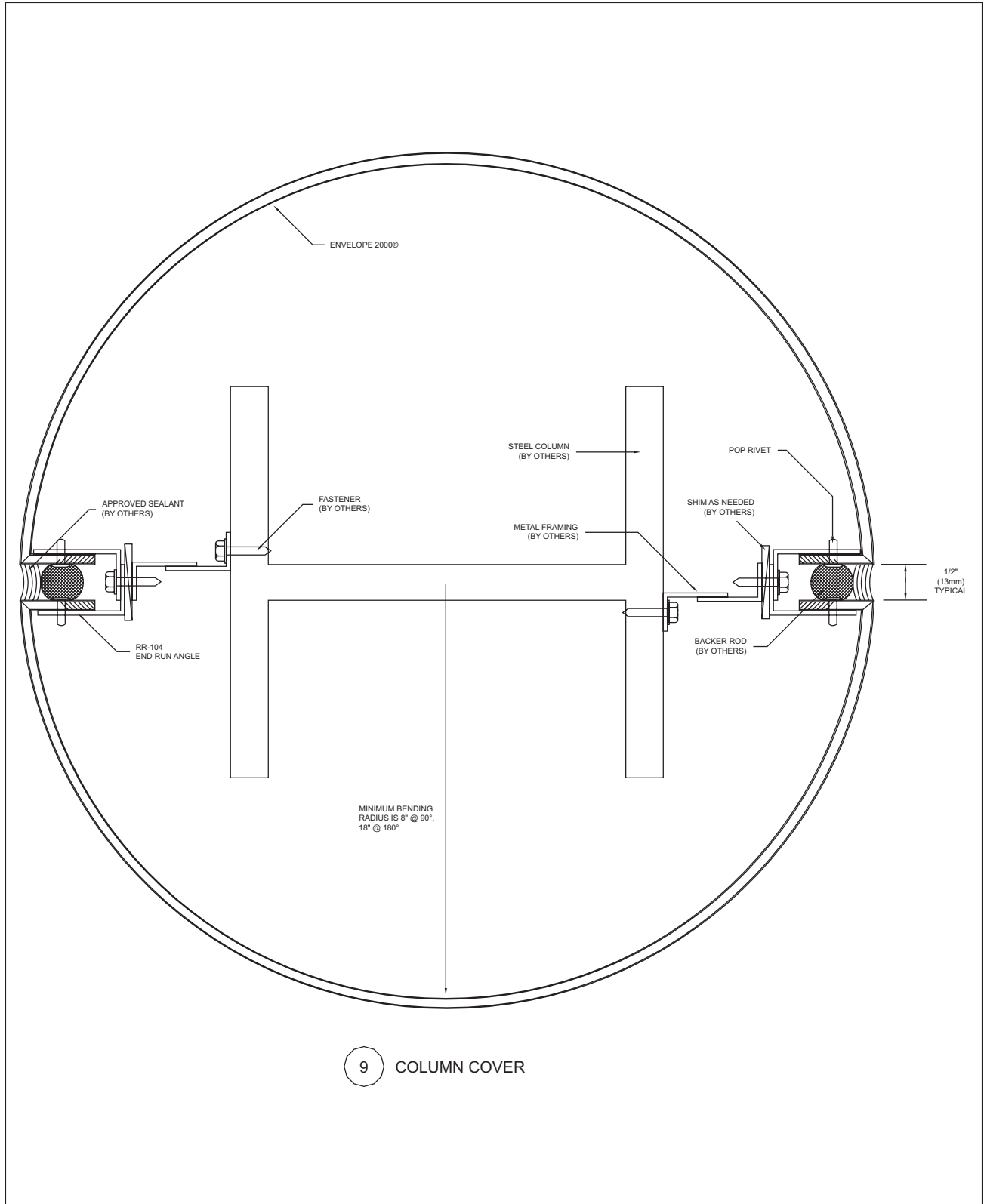
REVISED:
11/06

SCALE:
3:4



8 OUTSIDE CORNER

<p>DRAWING NAME: E2K 8 Outside Corner.dwg</p>			<p>Note: This detail represents the latest recommendations from Citadel Architectural Products, Inc. It is presented in good faith and is subject to change without notice. Citadel Architectural Products, Inc. accepts no responsibility for the end use of this detail. For conditions not shown, consult our Technical Staff at (800) 446-8828 for review of specific details.</p>
<p>SYSTEM: Rout & Return (RR)</p>	<p>REVISED: 11/06</p>	<p>SCALE: 3:4</p>	



9 COLUMN COVER

Note: This detail represents the latest recommendations from Citadel Architectural Products, Inc. It is presented in good faith and is subject to change without notice. Citadel Architectural Products, Inc. accepts no responsibility for the end use of this detail. For conditions not shown, consult our Technical Staff at (800) 446-8828 for review of specific details.

DRAWING NAME:
E2K RR 9 Column Cover.dwg

SYSTEM:
Rout & Return (RR)

REVISED:
11/06

SCALE:
1:2

