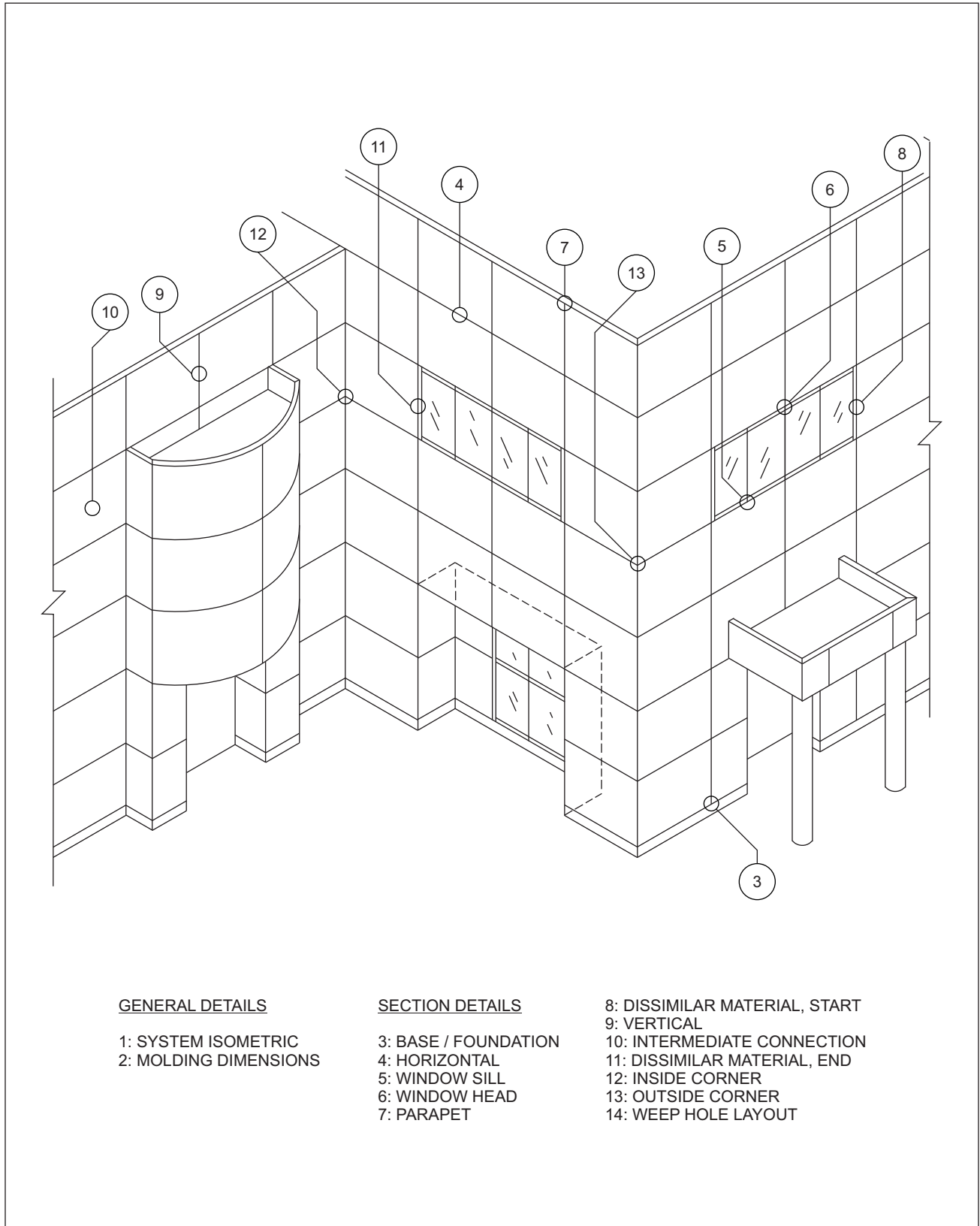
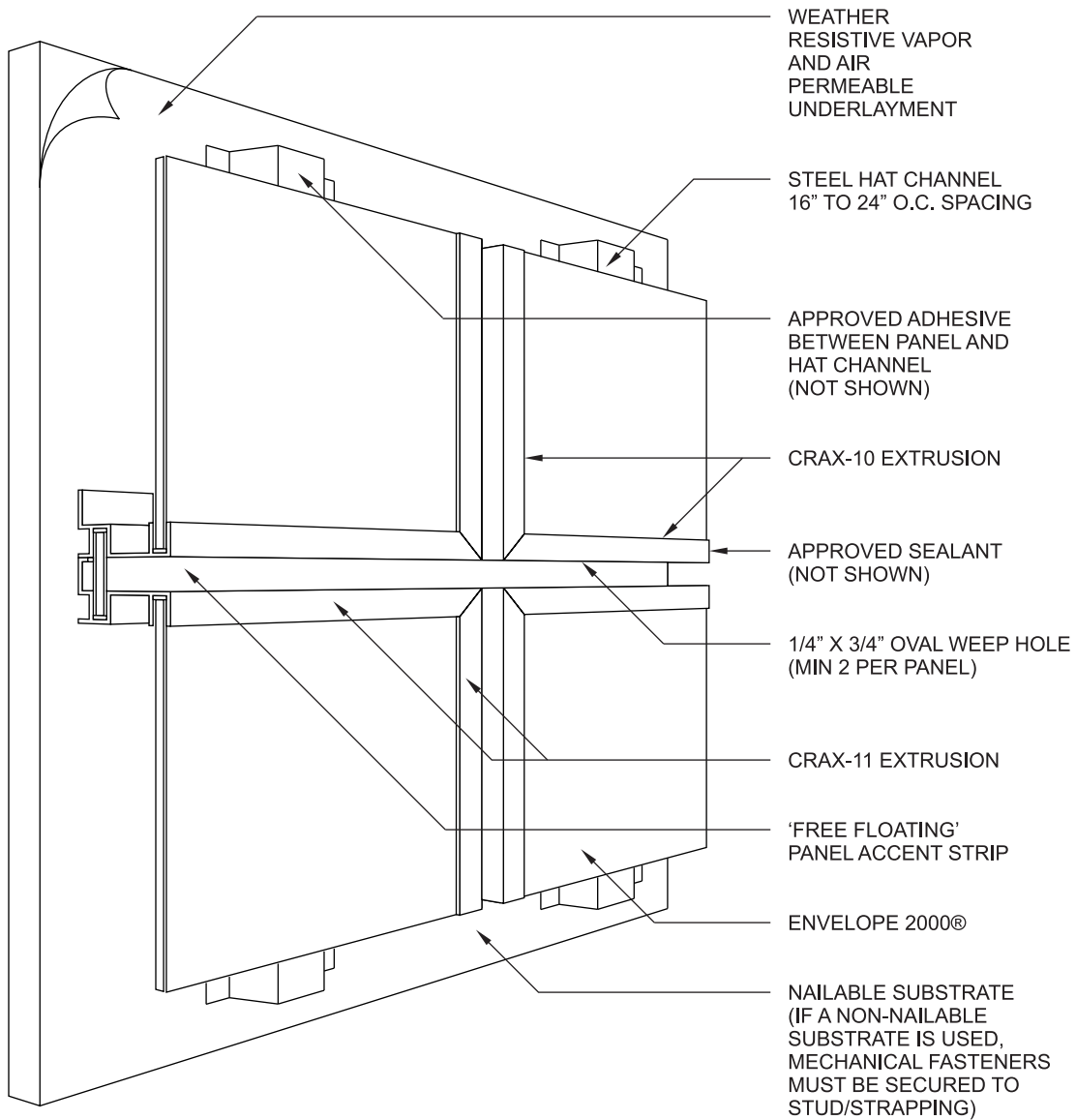


Typical Details: Deep Reveal (D-RV) System

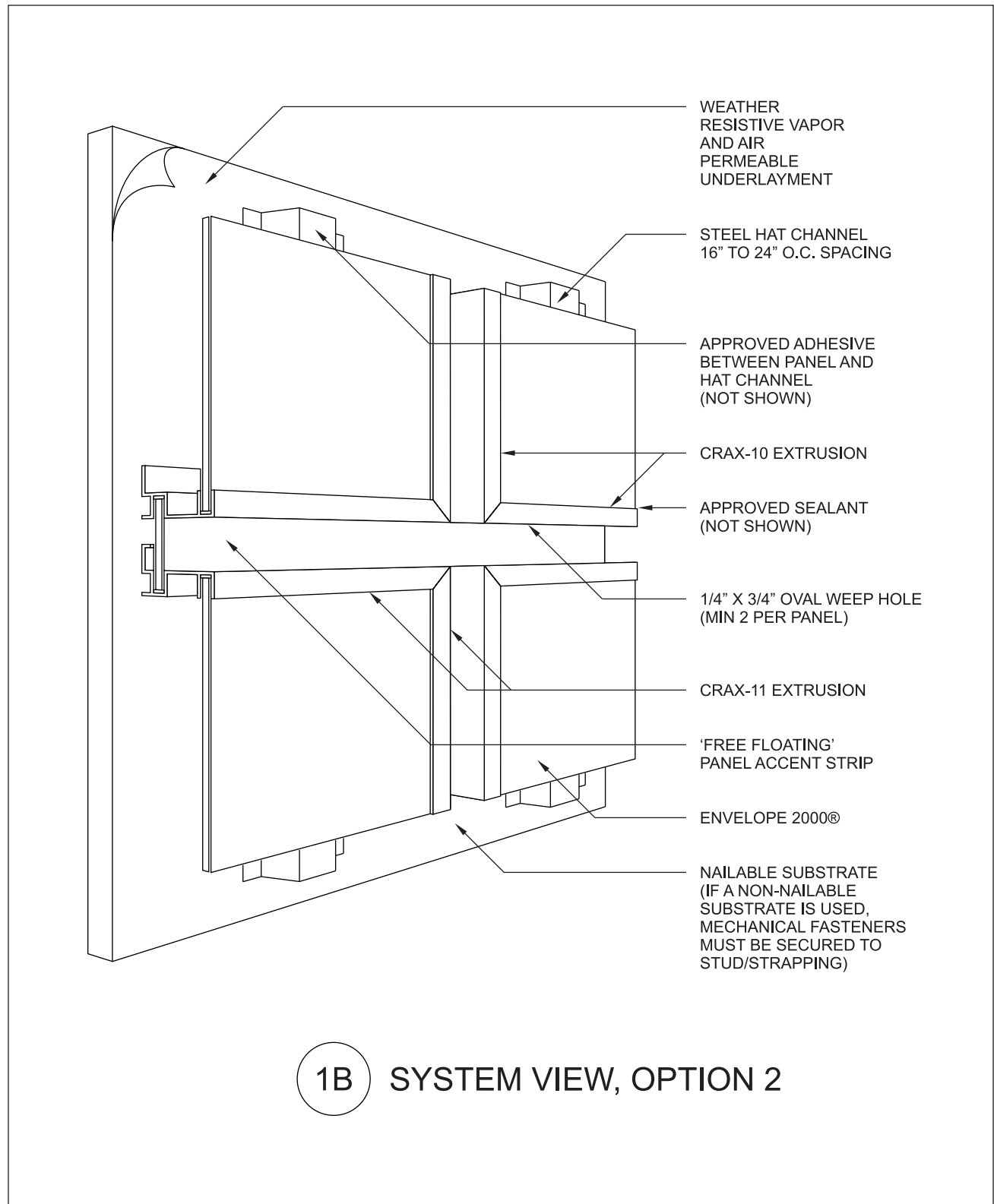


©2010 Citadel Architectural Products, Inc. An ISO 9001:2000 Registered Company.
Envelope 2000® is a registered trademark of Citadel Architectural Products, Inc.
Printed In The U.S.A. Form # 7.05.TD4.A Rev. (05/10)



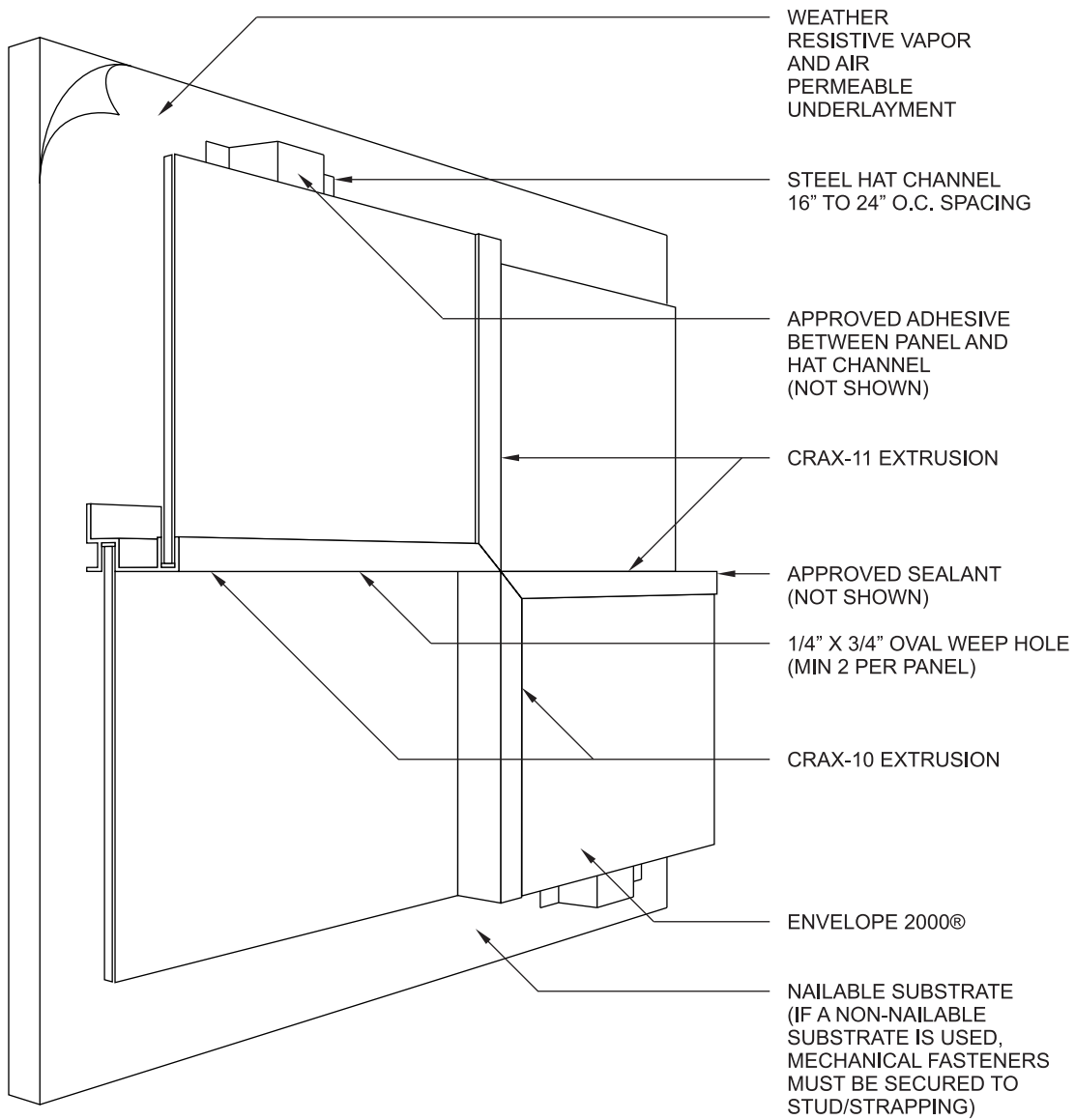
1A SYSTEM VIEW, OPTION 1

DRAWING NAME: E2K D-RV.dwg			NOTE: This detail represents the latest recommendations from Citadel Architectural Products, Inc.. It is presented in good faith and is subject to change without notice. Citadel Architectural Products, Inc. accepts no responsibility for the end use of this detail. For conditions not shown, consult our Technical Staff at (800) 446-8828 for review of specific details.
SYSTEM: Deep Reveal (D-RV)	REVISED: 03/10	SCALE: 1:1	



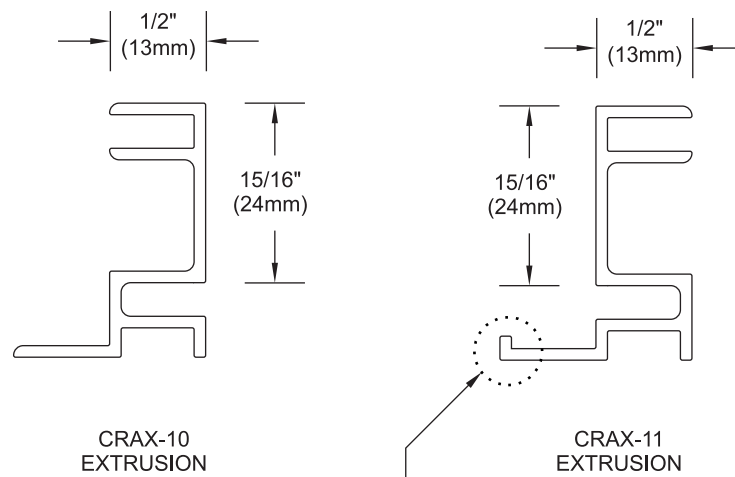
1B SYSTEM VIEW, OPTION 2

<p>NOTE: This detail represents the latest recommendations from Citadel Architectural Products, Inc.. It is presented in good faith and is subject to change without notice. Citadel Architectural Products, Inc. accepts no responsibility for the end use of this detail. For conditions not shown, consult our Technical Staff at (800) 446-8828 for review of specific details.</p>	<p>DRAWING NAME: E2K D-RV.dwg</p>		
	<p>REVISED: 03/10</p>	<p>SCALE: 1:1</p>	<p>SYSTEM: Deep Reveal (D-RV)</p>



1C SYSTEM VIEW, OPTION 3

DRAWING NAME: E2K D-RV.dwg			NOTE: This detail represents the latest recommendations from Citadel Architectural Products, Inc.. It is presented in good faith and is subject to change without notice. Citadel Architectural Products, Inc. accepts no responsibility for the end use of this detail. For conditions not shown, consult our Technical Staff at (800) 446-8828 for review of specific details.
SYSTEM: Deep Reveal (D-RV)	REVISED: 03/10	SCALE: 1:1	



NOTE: BOTH EXTRUSIONS ARE VERY SIMILAR. A DISTINGUISHING DIFFERENCE IS THE REGISTRATION TAB ON THE FASTENING FLANGE OF THE CRAX-11.

2 MOLDING DIMENSIONS

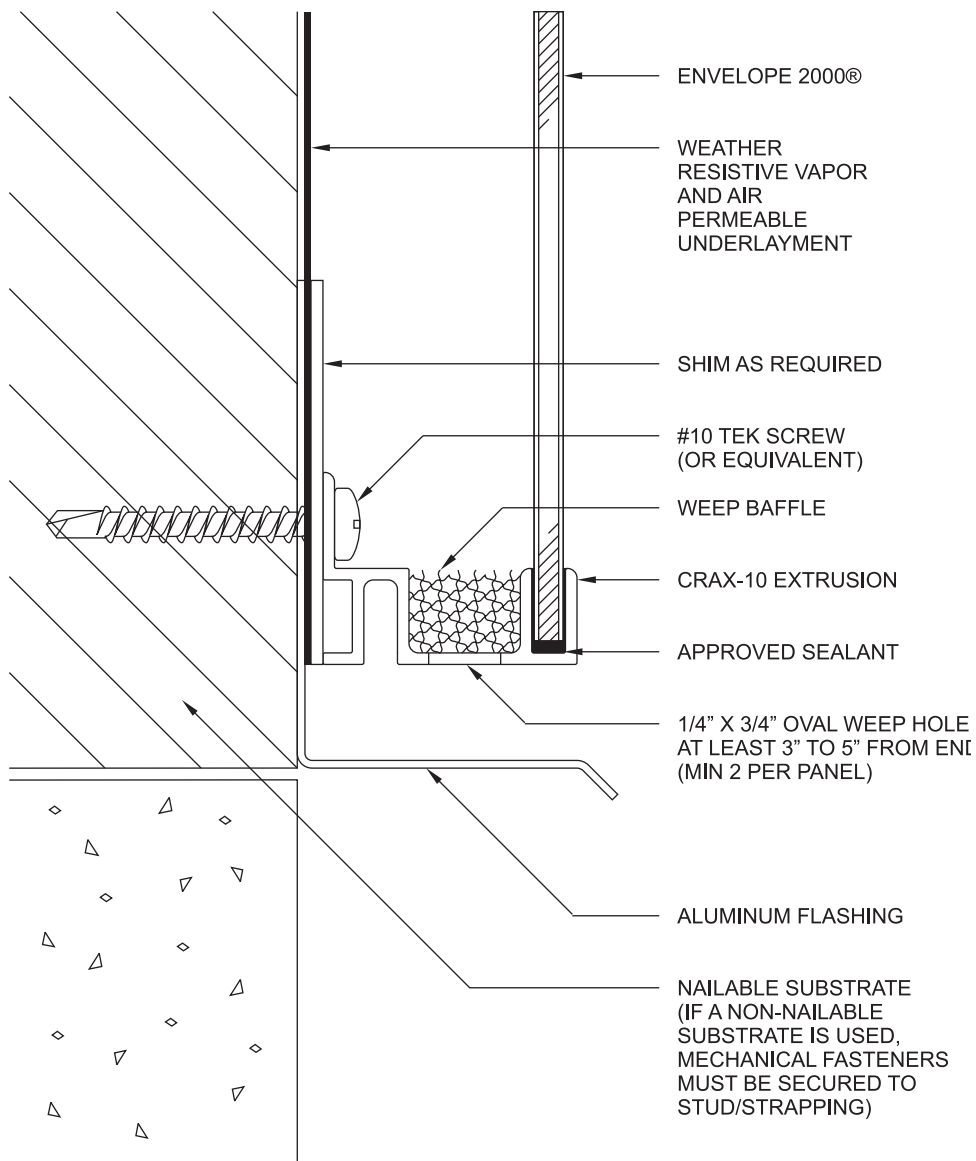
NOTE: This detail represents the latest recommendations from Citadel Architectural Products, Inc.. It is presented in good faith and is subject to change without notice. Citadel Architectural Products, Inc. accepts no responsibility for the end use of this detail. For conditions not shown, consult our Technical Staff at (800) 446-8828 for review of specific details.

DRAWING NAME:
E2K D-RV.dwg

REVISED:
03/10

SCALE:
1:1

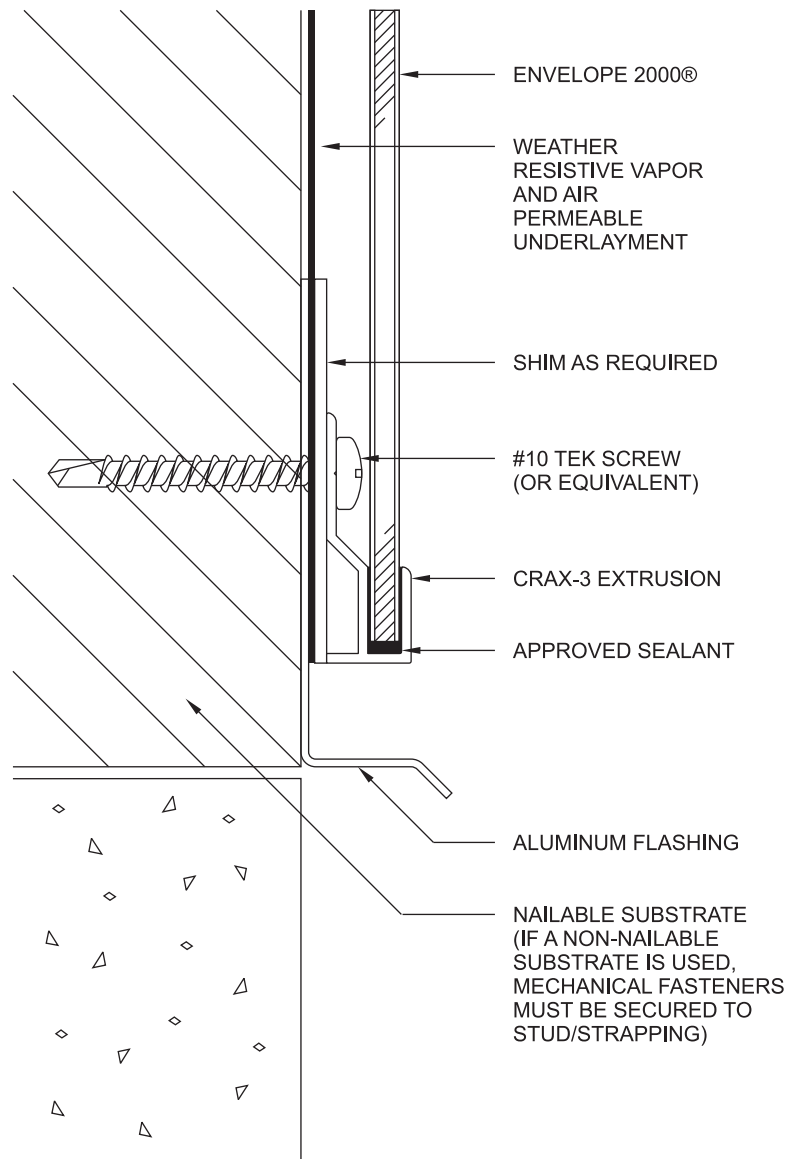
SYSTEM:
Deep Reveal (D-RV)



3A BASE/FOUNDATION, OPTION 1

DRAWING NAME: E2K D-RV.dwg		
SYSTEM: Deep Reveal (D-RV)	REVISED: 03/10	SCALE: 1:1

NOTE: This detail represents the latest recommendations from Citadel Architectural Products, Inc.. It is presented in good faith and is subject to change without notice. Citadel Architectural Products, Inc. accepts no responsibility for the end use of this detail. For conditions not shown, consult our Technical Staff at (800) 446-8828 for review of specific details.



3B BASE/FOUNDATION, OPTION 2

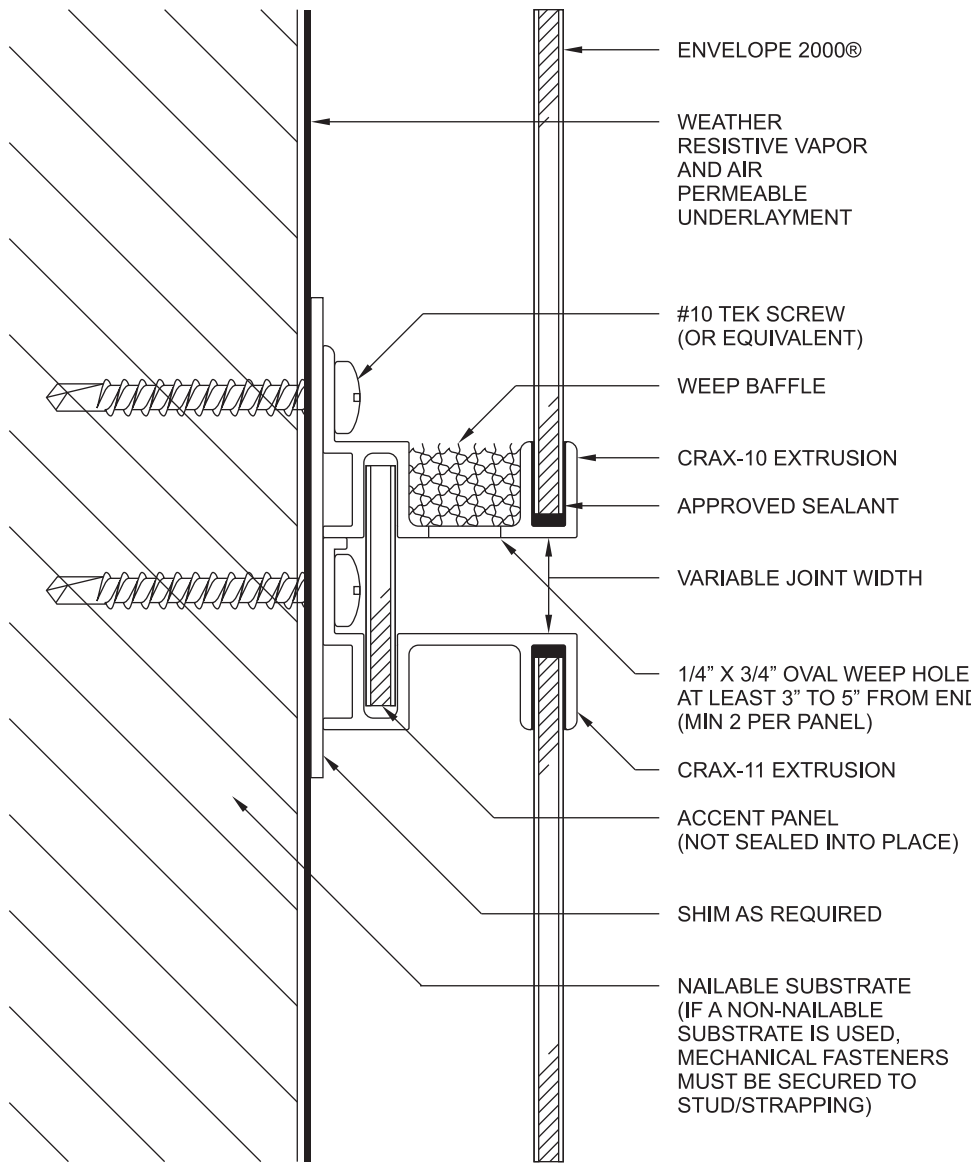
NOTE: This detail represents the latest recommendations from Citadel Architectural Products, Inc.. It is presented in good faith and is subject to change without notice. Citadel Architectural Products, Inc. accepts no responsibility for the end use of this detail. For conditions not shown, consult our Technical Staff at (800) 446-8828 for review of specific details.

DRAWING NAME:
E2K D-RV.dwg

REVISED:
03/10

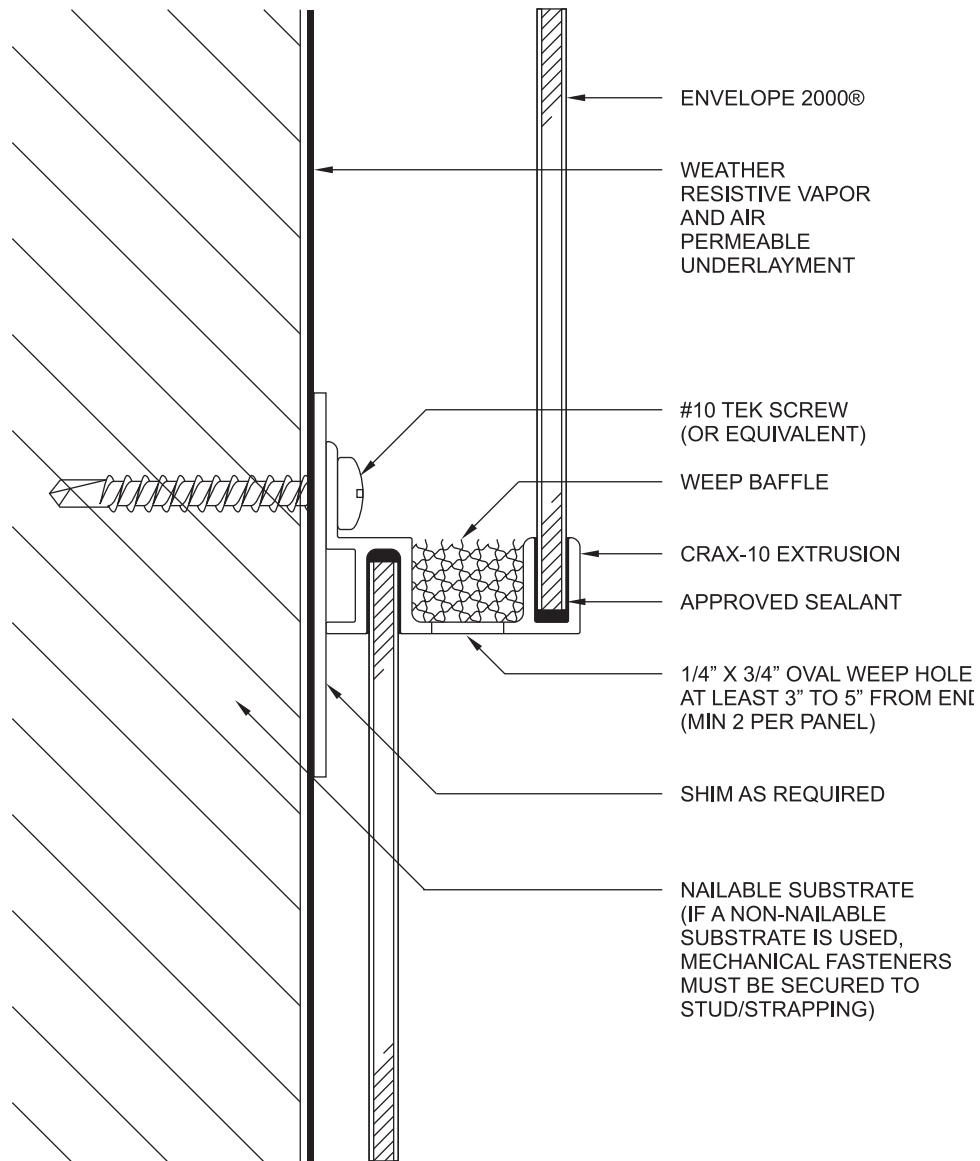
SCALE:
1:1

SYSTEM:
Deep Reveal (D-RV)



4A HORIZONTAL JOINT, OPTION 1

DRAWING NAME: E2K D-RV.dwg			NOTE: This detail represents the latest recommendations from Citadel Architectural Products, Inc.. It is presented in good faith and is subject to change without notice. Citadel Architectural Products, Inc. accepts no responsibility for the end use of this detail. For conditions not shown, consult our Technical Staff at (800) 446-8828 for review of specific details.
SYSTEM: Deep Reveal (D-RV)	REVISED: 03/10	SCALE: 1:1	



4B HORIZONTAL JOINT, OPTION 2

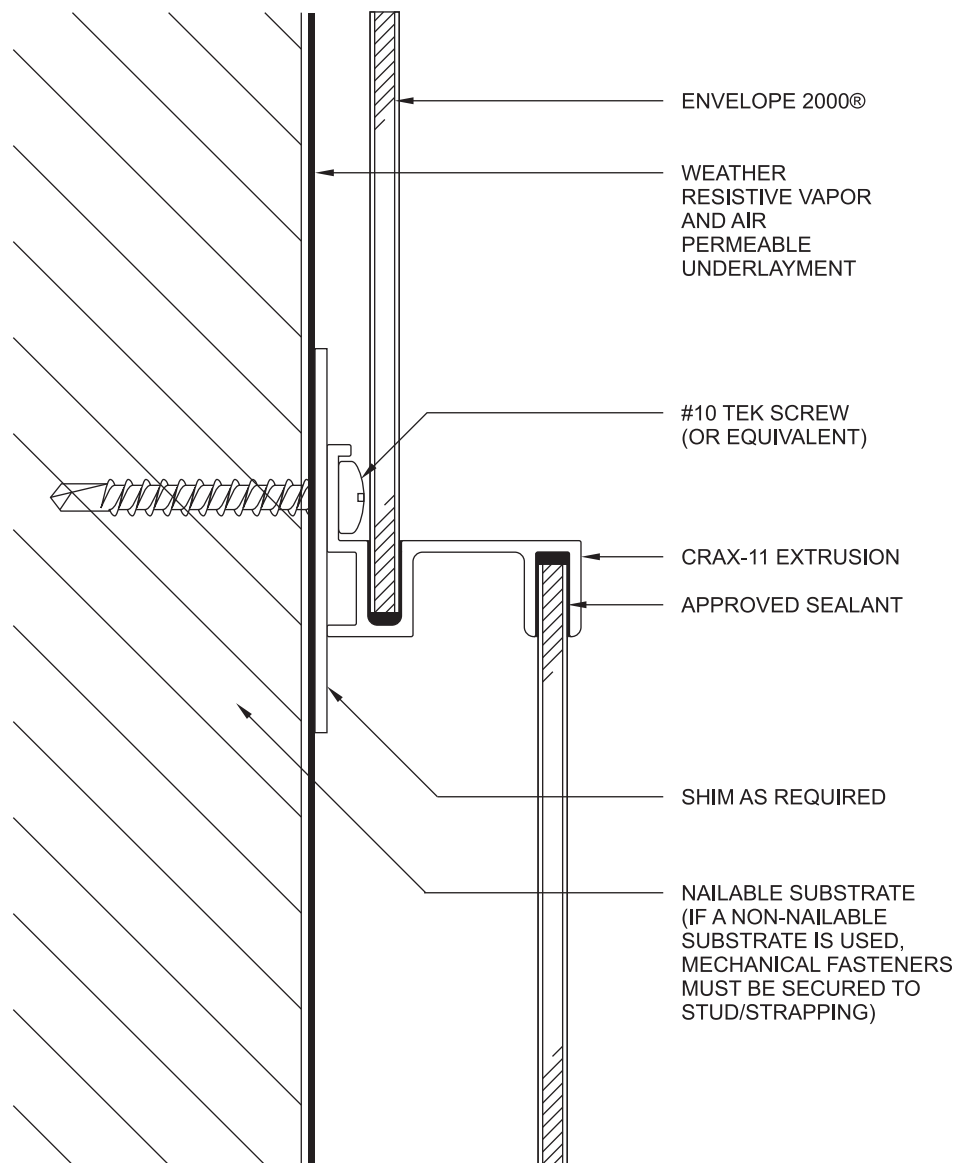
NOTE: This detail represents the latest recommendations from Citadel Architectural Products, Inc.. It is presented in good faith and is subject to change without notice. Citadel Architectural Products, Inc. accepts no responsibility for the end use of this detail. For conditions not shown, consult our Technical Staff at (800) 446-8828 for review of specific details.

DRAWING NAME:
E2K D-RV.dwg

REVISED:
03/10

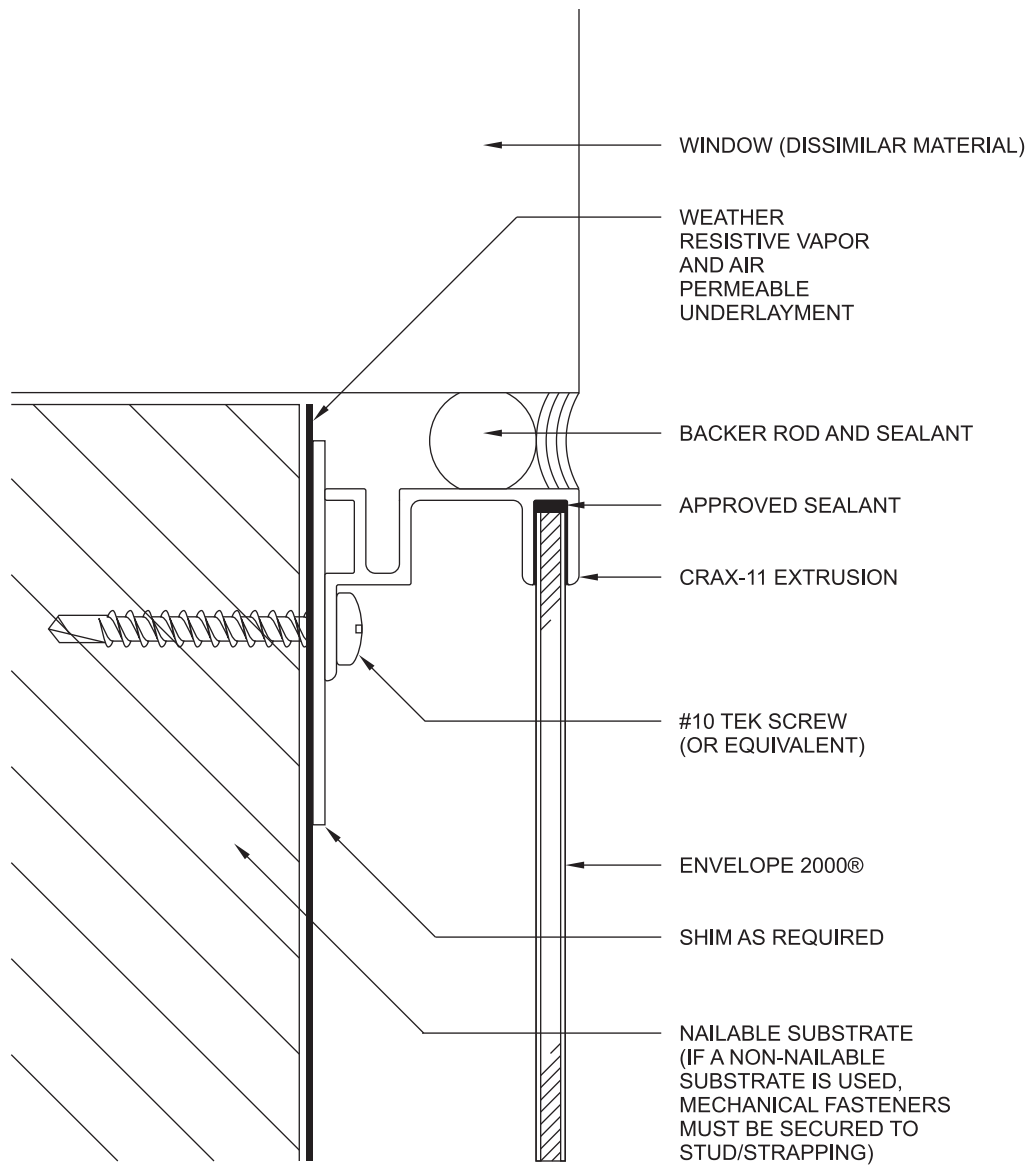
SCALE:
1:1

SYSTEM:
Deep Reveal (D-RV)



4C HORIZONTAL JOINT, OPTION 3

DRAWING NAME: E2K D-RV.dwg			NOTE: This detail represents the latest recommendations from Citadel Architectural Products, Inc.. It is presented in good faith and is subject to change without notice. Citadel Architectural Products, Inc. accepts no responsibility for the end use of this detail. For conditions not shown, consult our Technical Staff at (800) 446-8828 for review of specific details.
SYSTEM: Deep Reveal (D-RV)	REVISED: 03/10	SCALE: 1:1	



5 WINDOW SILL

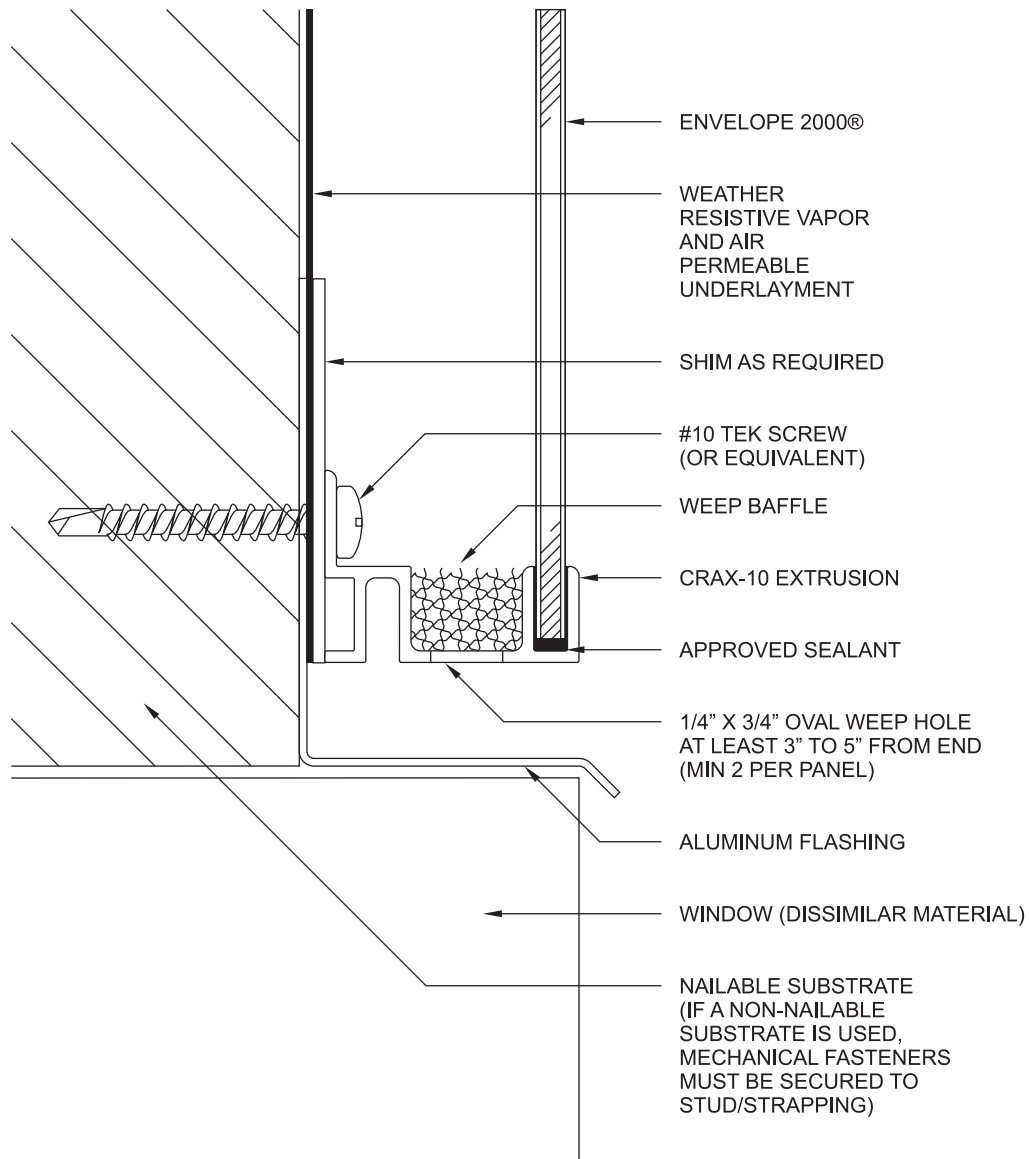
NOTE: This detail represents the latest recommendations from Citadel Architectural Products, Inc.. It is presented in good faith and is subject to change without notice. Citadel Architectural Products, Inc. accepts no responsibility for the end use of this detail. For conditions not shown, consult our Technical Staff at (800) 446-8828 for review of specific details.

DRAWING NAME:
E2K D-RV.dwg

REVISED:
03/10

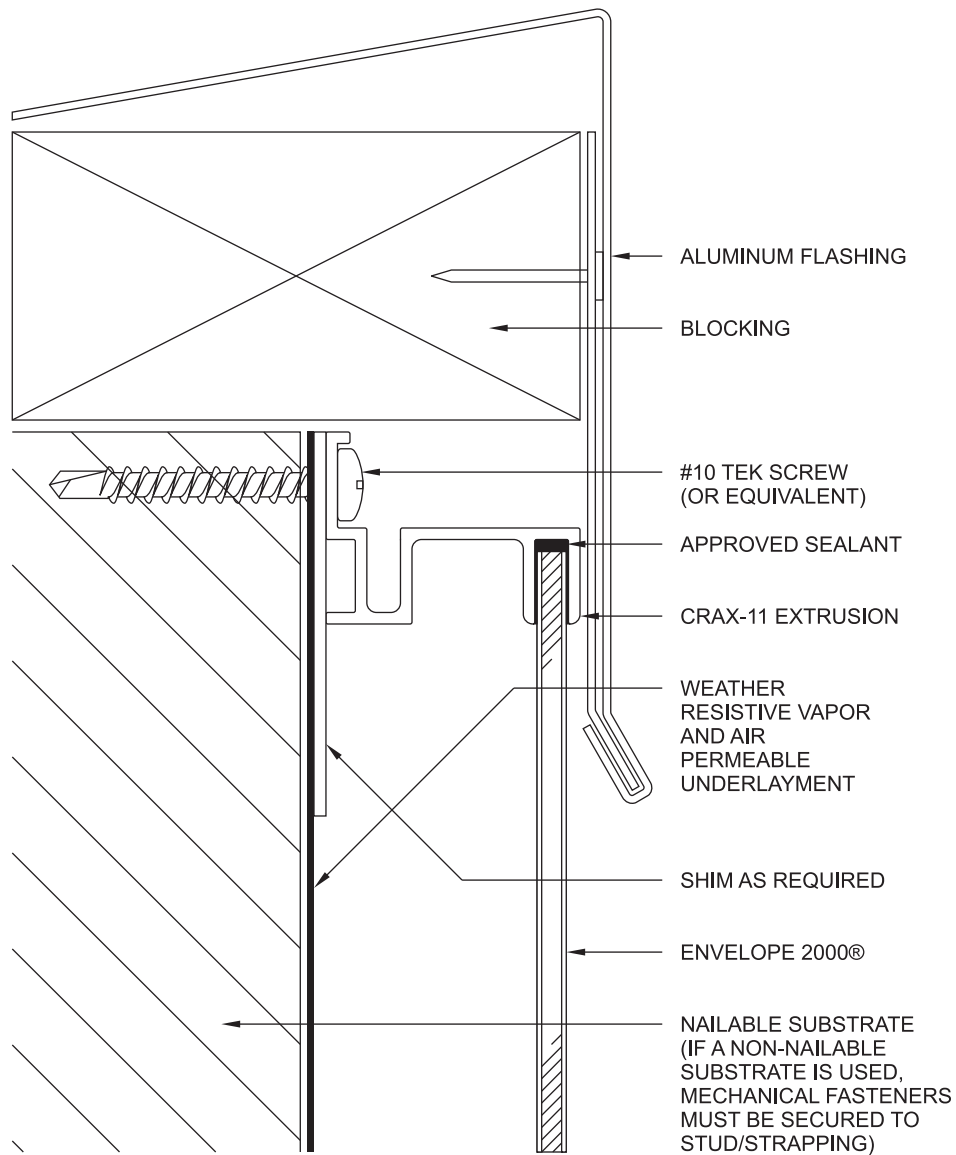
SCALE:
1:1

SYSTEM:
Deep Reveal (D-RV)



6 WINDOW HEAD

DRAWING NAME: E2K D-RV.dwg			NOTE: This detail represents the latest recommendations from Citadel Architectural Products, Inc.. It is presented in good faith and is subject to change without notice. Citadel Architectural Products, Inc. accepts no responsibility for the end use of this detail. For conditions not shown, consult our Technical Staff at (800) 446-8828 for review of specific details.
SYSTEM: Deep Reveal (D-RV)	REVISED: 03/10	SCALE: 1:1	



7A PARAPET, OPTION 1

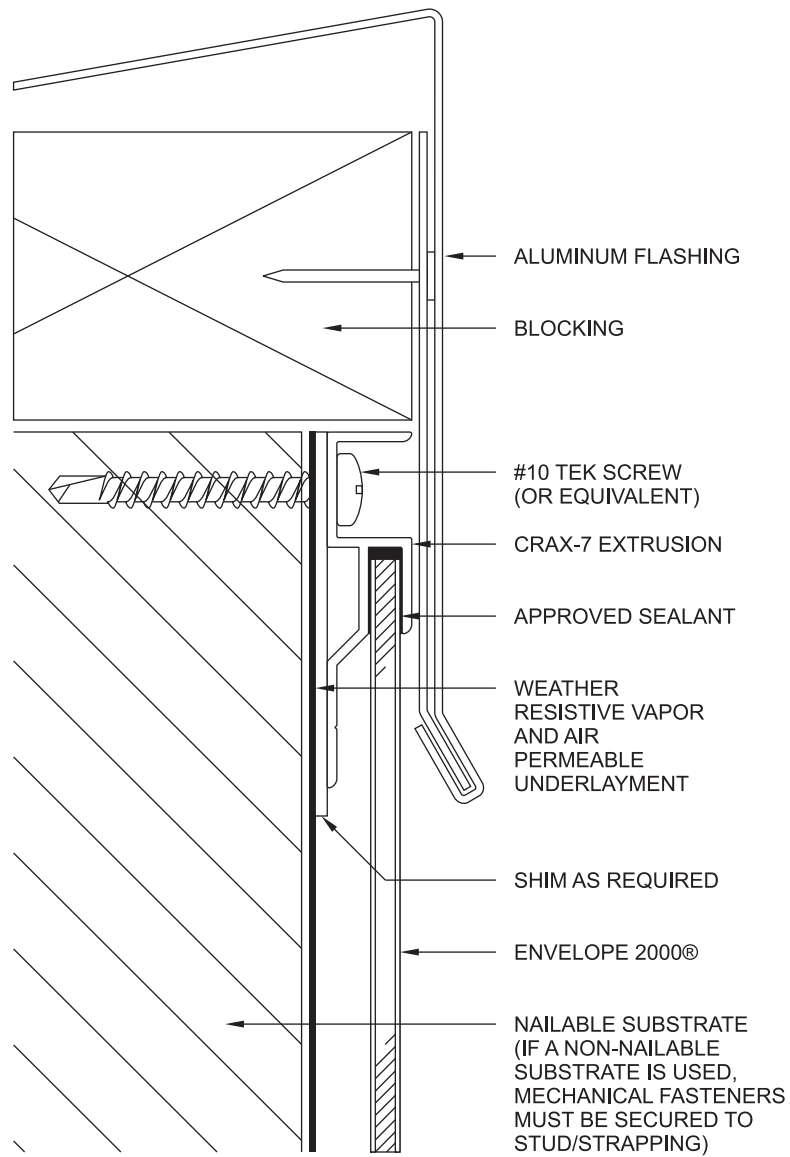
NOTE: This detail represents the latest recommendations from Citadel Architectural Products, Inc.. It is presented in good faith and is subject to change without notice. Citadel Architectural Products, Inc. accepts no responsibility for the end use of this detail. For conditions not shown, consult our Technical Staff at (800) 446-8828 for review of specific details.

DRAWING NAME:
E2K D-RV.dwg

REVISED:
03/10

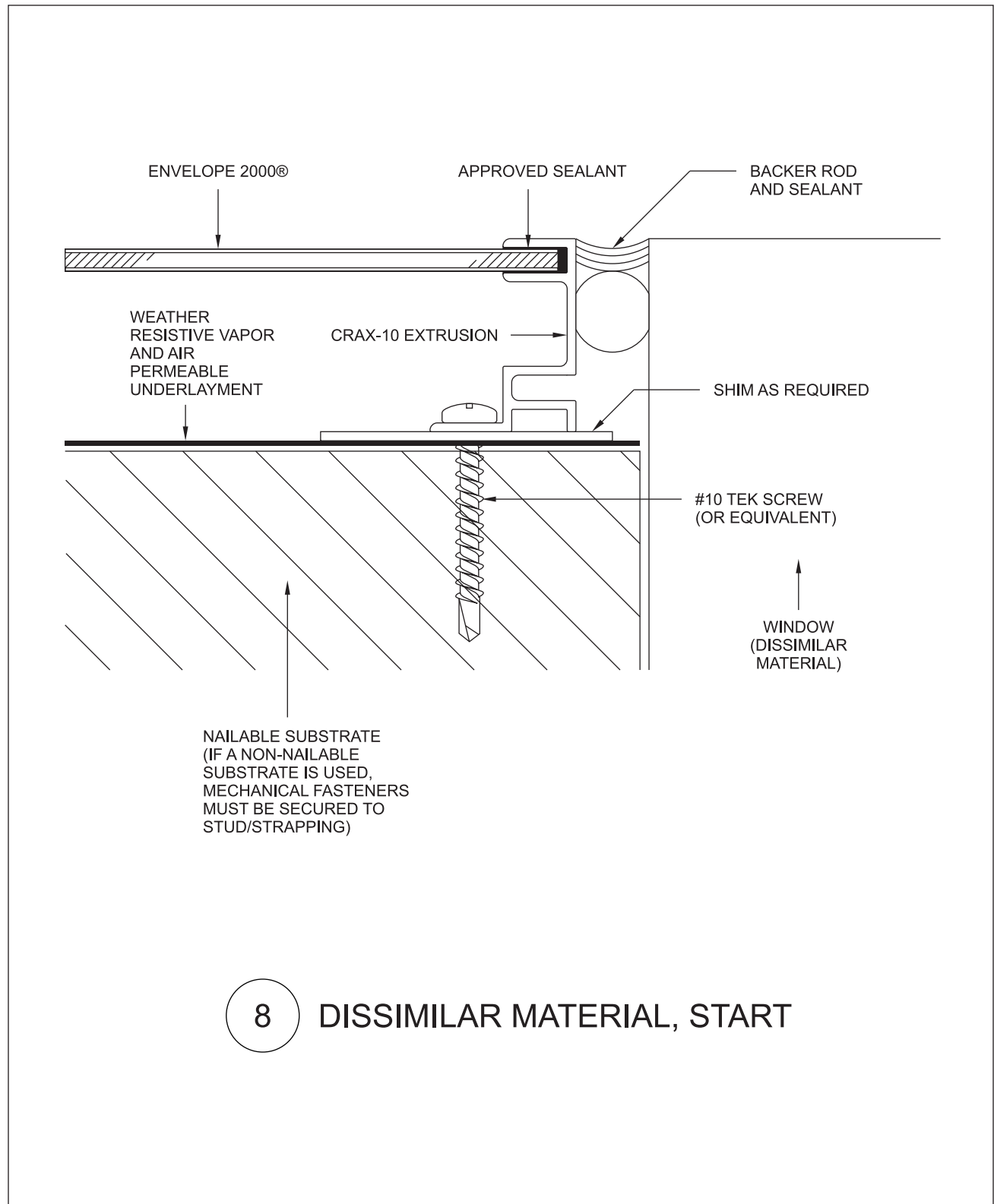
SCALE:
1:1

SYSTEM:
Deep Reveal (D-RV)



7B PARAPET, OPTION 2

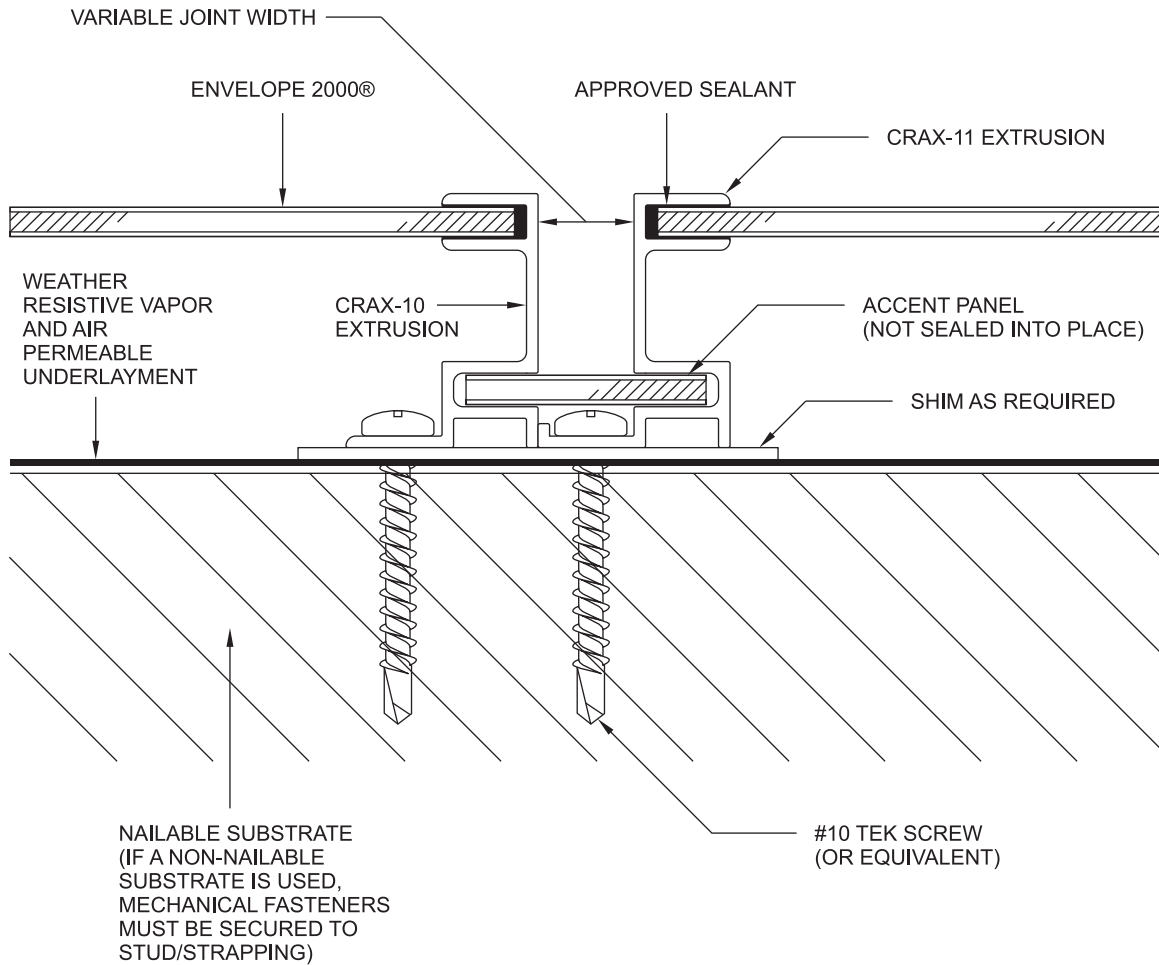
DRAWING NAME: E2K D-RV.dwg			NOTE: This detail represents the latest recommendations from Citadel Architectural Products, Inc.. It is presented in good faith and is subject to change without notice. Citadel Architectural Products, Inc. accepts no responsibility for the end use of this detail. For conditions not shown, consult our Technical Staff at (800) 446-8828 for review of specific details.
SYSTEM: Deep Reveal (D-RV)	REVISED: 03/10	SCALE: 1:1	



8 DISSIMILAR MATERIAL, START

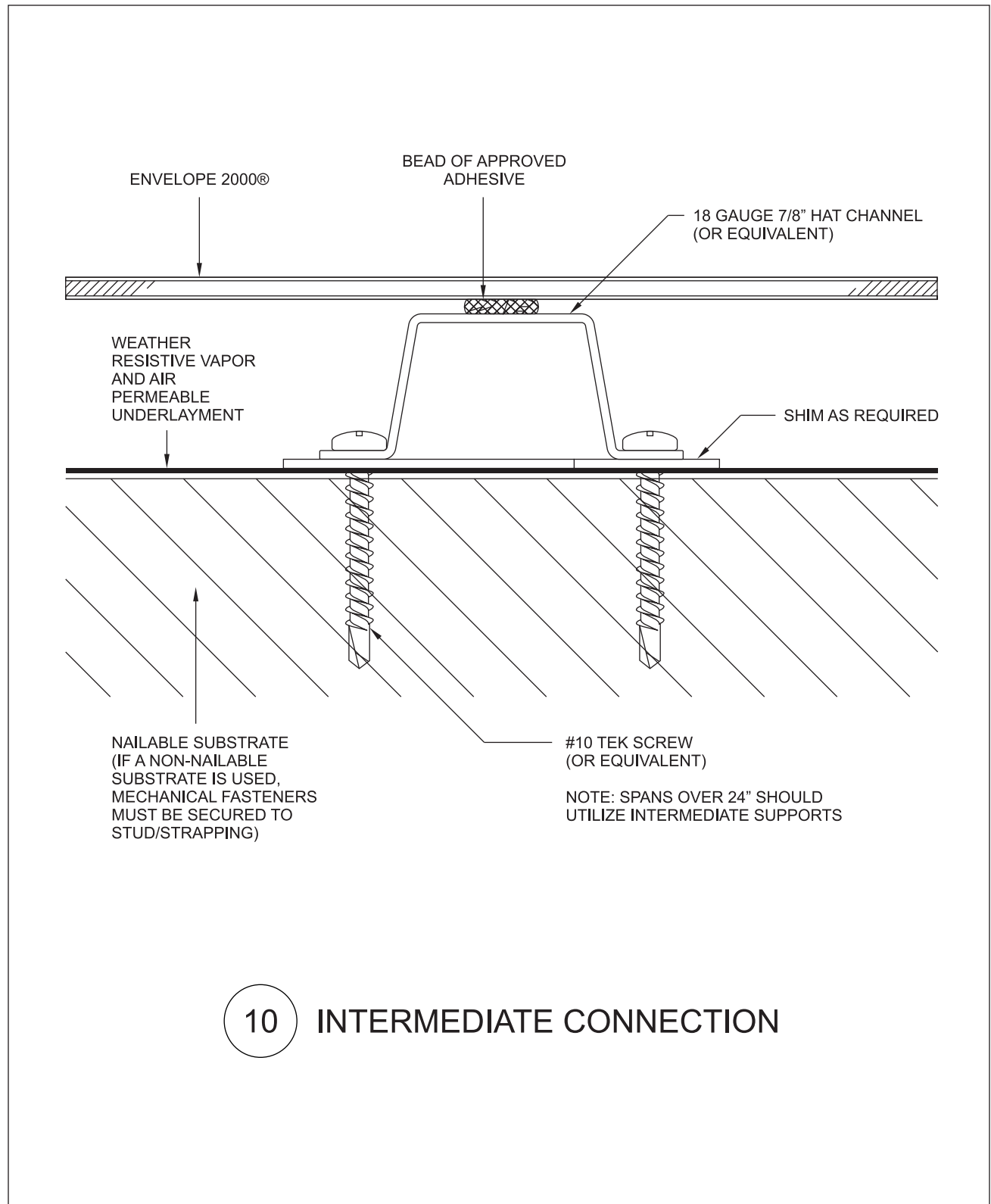
NOTE: This detail represents the latest recommendations from Citadel Architectural Products, Inc.. It is presented in good faith and is subject to change without notice. Citadel Architectural Products, Inc. accepts no responsibility for the end use of this detail. For conditions not shown, consult our Technical Staff at (800) 446-8828 for review of specific details.

DRAWING NAME: E2K D-RV.dwg		
REVISED: 03/10	SCALE: 1:1	SYSTEM: Deep Reveal (D-RV)



9 VERTICAL JOINT

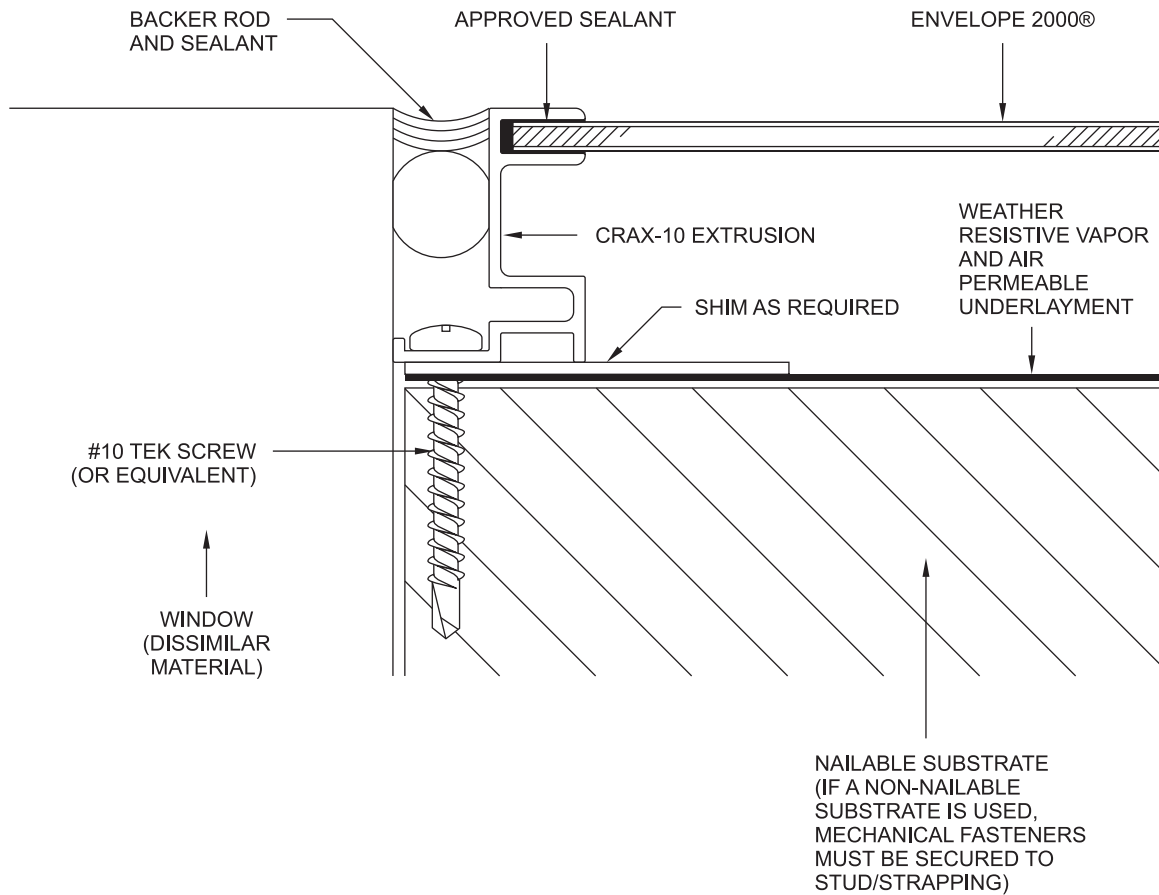
DRAWING NAME: E2K D-RV.dwg			NOTE: This detail represents the latest recommendations from Citadel Architectural Products, Inc.. It is presented in good faith and is subject to change without notice. Citadel Architectural Products, Inc. accepts no responsibility for the end use of this detail. For conditions not shown, consult our Technical Staff at (800) 446-8828 for review of specific details.
SYSTEM: Deep Reveal (D-RV)	REVISED: 03/10	SCALE: 1:1	



10 INTERMEDIATE CONNECTION

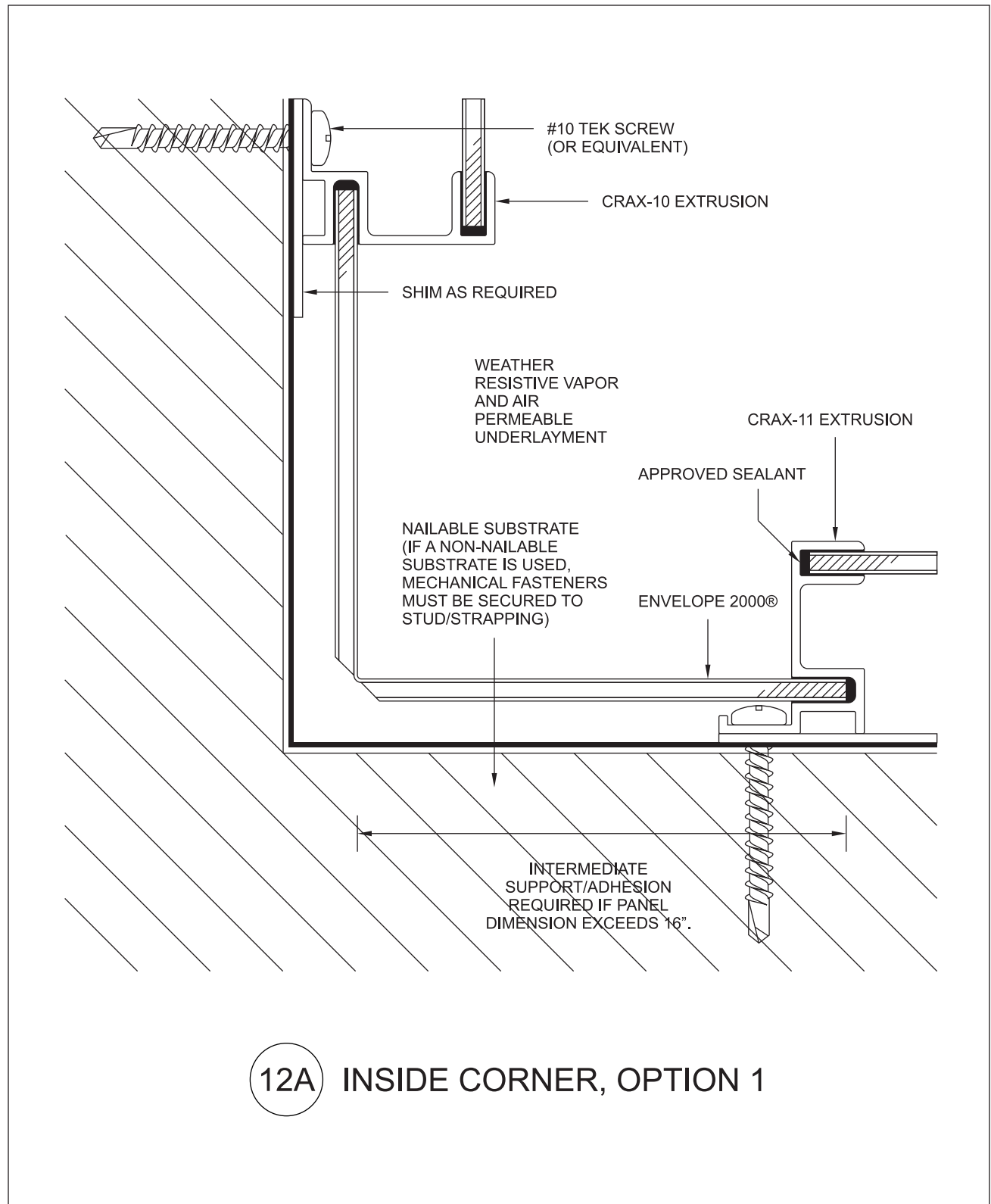
NOTE: This detail represents the latest recommendations from Citadel Architectural Products, Inc.. It is presented in good faith and is subject to change without notice. Citadel Architectural Products, Inc. accepts no responsibility for the end use of this detail. For conditions not shown, consult our Technical Staff at (800) 446-8828 for review of specific details.

DRAWING NAME: E2K D-RV.dwg		
REVISED: 03/10	SCALE: 1:1	SYSTEM: Deep Reveal (D-RV)



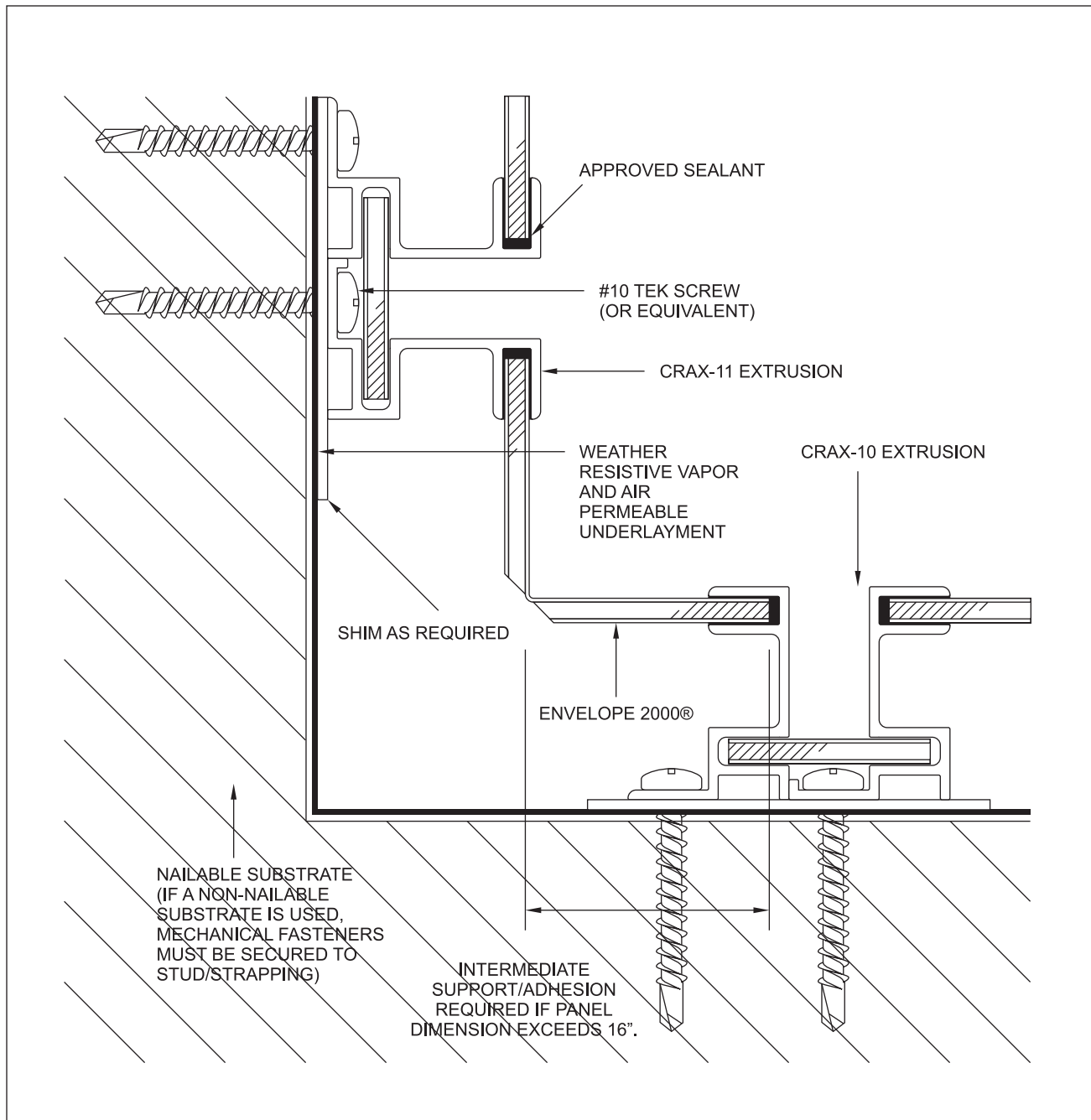
11 DISSIMILAR MATERIAL, END

DRAWING NAME: E2K D-RV.dwg			NOTE: This detail represents the latest recommendations from Citadel Architectural Products, Inc.. It is presented in good faith and is subject to change without notice. Citadel Architectural Products, Inc. accepts no responsibility for the end use of this detail. For conditions not shown, consult our Technical Staff at (800) 446-8828 for review of specific details.
SYSTEM: Deep Reveal (D-RV)	REVISED: 03/10	SCALE: 1:1	



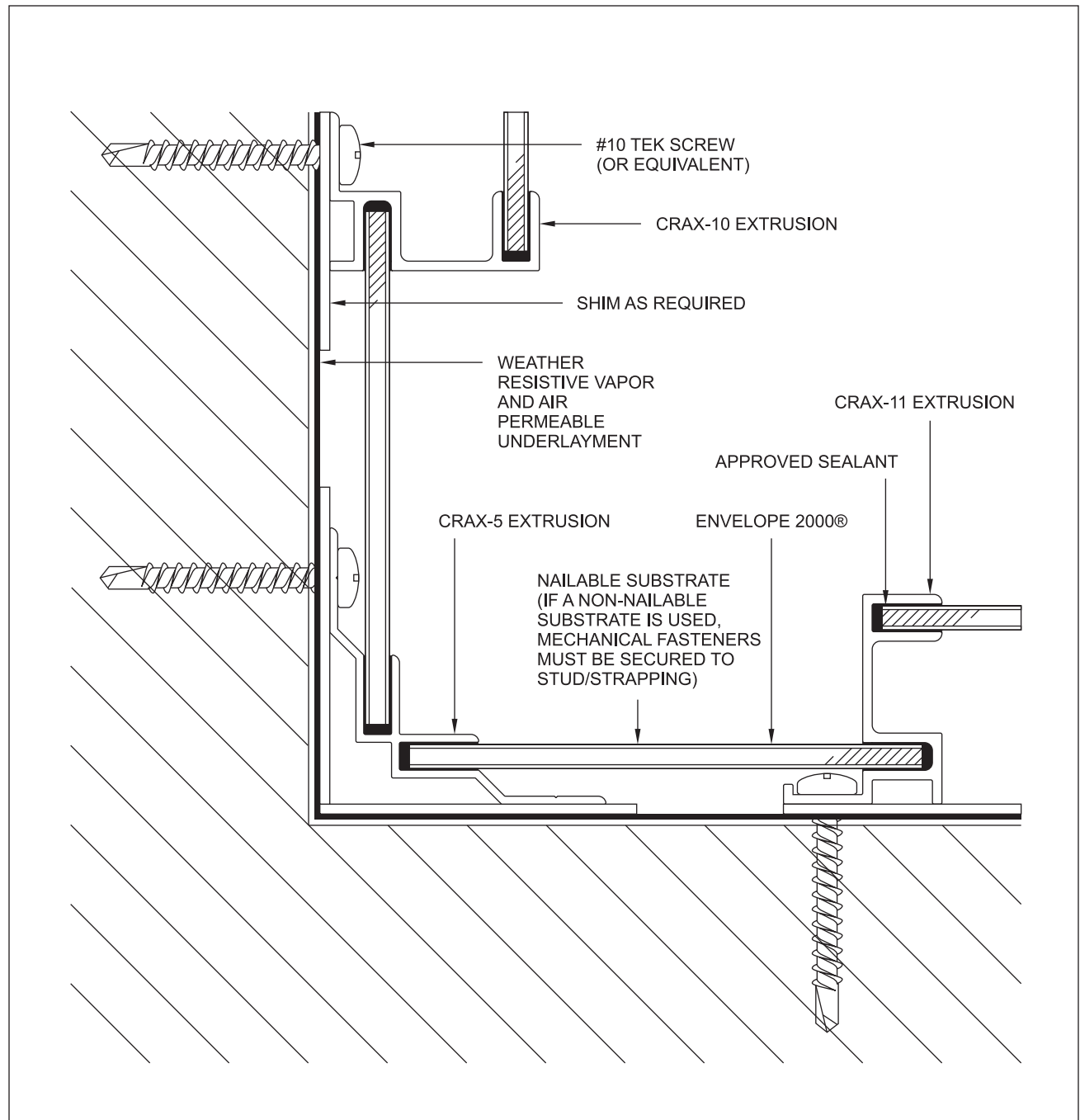
12A INSIDE CORNER, OPTION 1

<p>NOTE: This detail represents the latest recommendations from Citadel Architectural Products, Inc.. It is presented in good faith and is subject to change without notice. Citadel Architectural Products, Inc. accepts no responsibility for the end use of this detail. For conditions not shown, consult our Technical Staff at (800) 446-8828 for review of specific details.</p>	<p>DRAWING NAME: E2K D-RV.dwg</p>		
	<p>REVISED: 03/10</p>	<p>SCALE: 1:1</p>	<p>SYSTEM: Deep Reveal (D-RV)</p>



12B INSIDE CORNER, OPTION 2

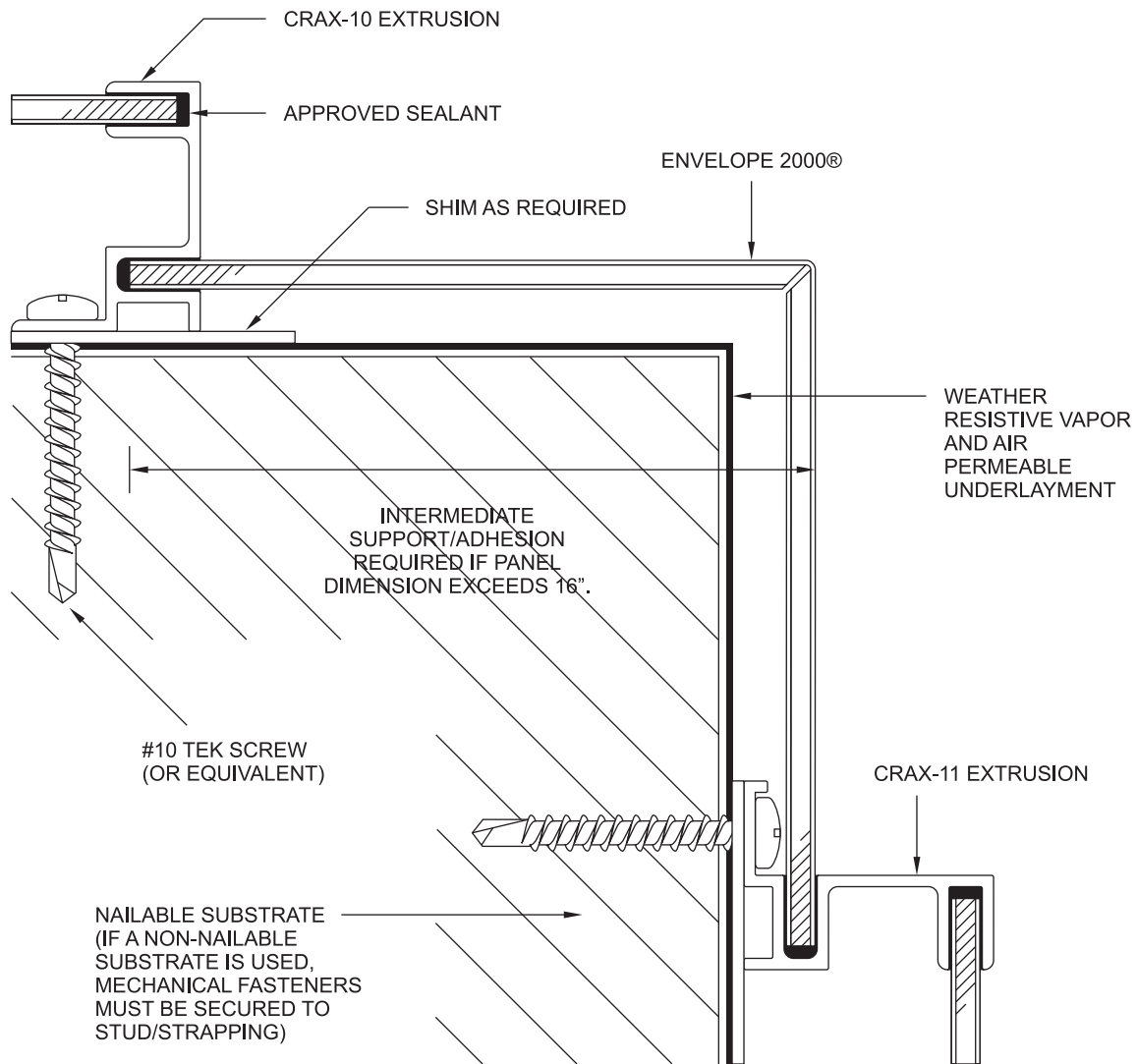
<p>DRAWING NAME: E2K D-RV.dwg</p>			<p>NOTE: This detail represents the latest recommendations from Citadel Architectural Products, Inc.. It is presented in good faith and is subject to change without notice. Citadel Architectural Products, Inc. accepts no responsibility for the end use of this detail. For conditions not shown, consult our Technical Staff at (800) 446-8828 for review of specific details.</p>
<p>SYSTEM: Deep Reveal (D-RV)</p>	<p>REVISED: 03/10</p>	<p>SCALE: 1:1</p>	



12C INSIDE CORNER, OPTION 3

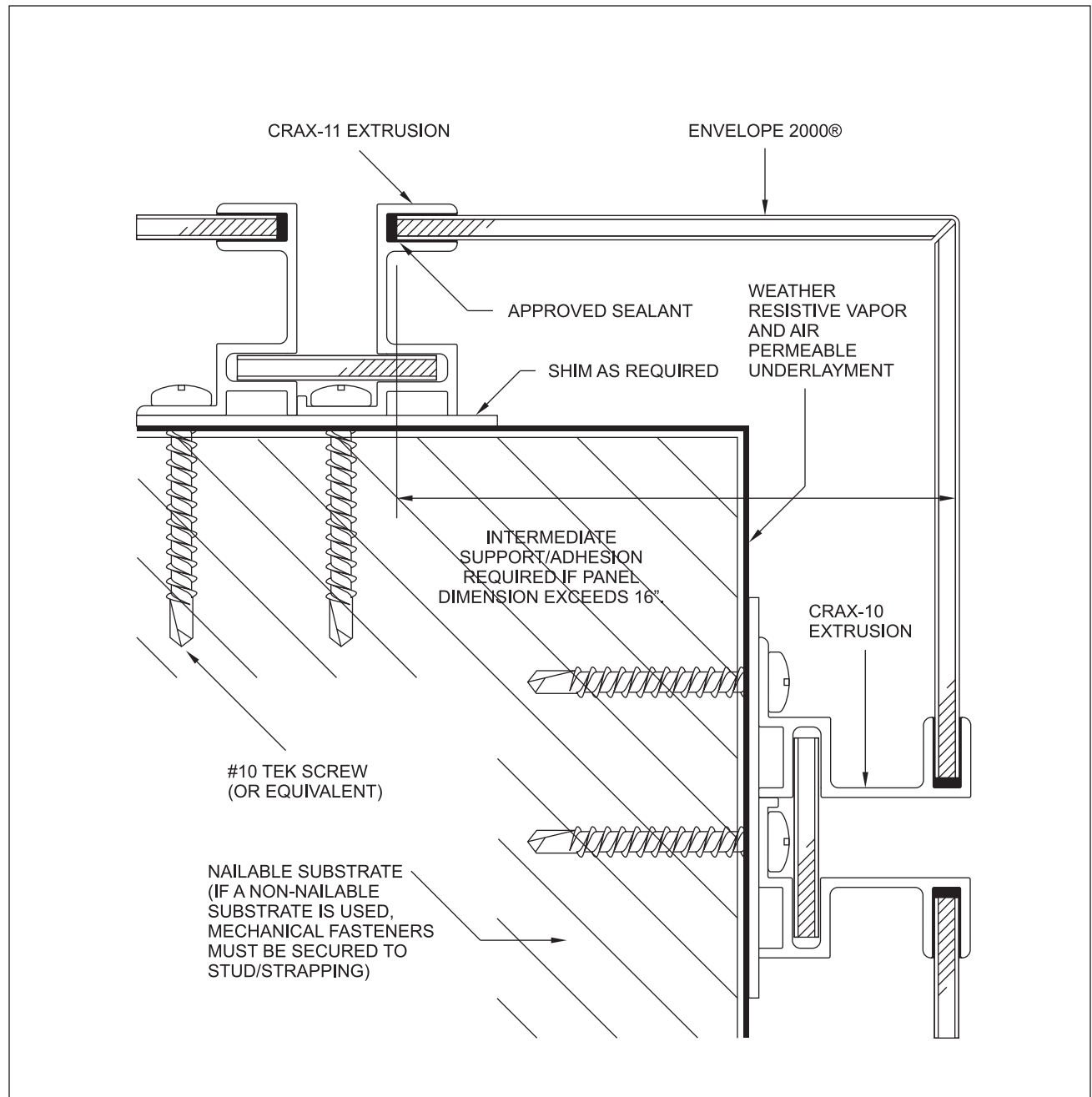
NOTE: This detail represents the latest recommendations from Citadel Architectural Products, Inc.. It is presented in good faith and is subject to change without notice. Citadel Architectural Products, Inc. accepts no responsibility for the end use of this detail. For conditions not shown, consult our Technical Staff at (800) 446-8828 for review of specific details.

DRAWING NAME: E2K D-RV.dwg		
REVISED: 03/10	SCALE: 1:1	SYSTEM: Deep Reveal (D-RV)



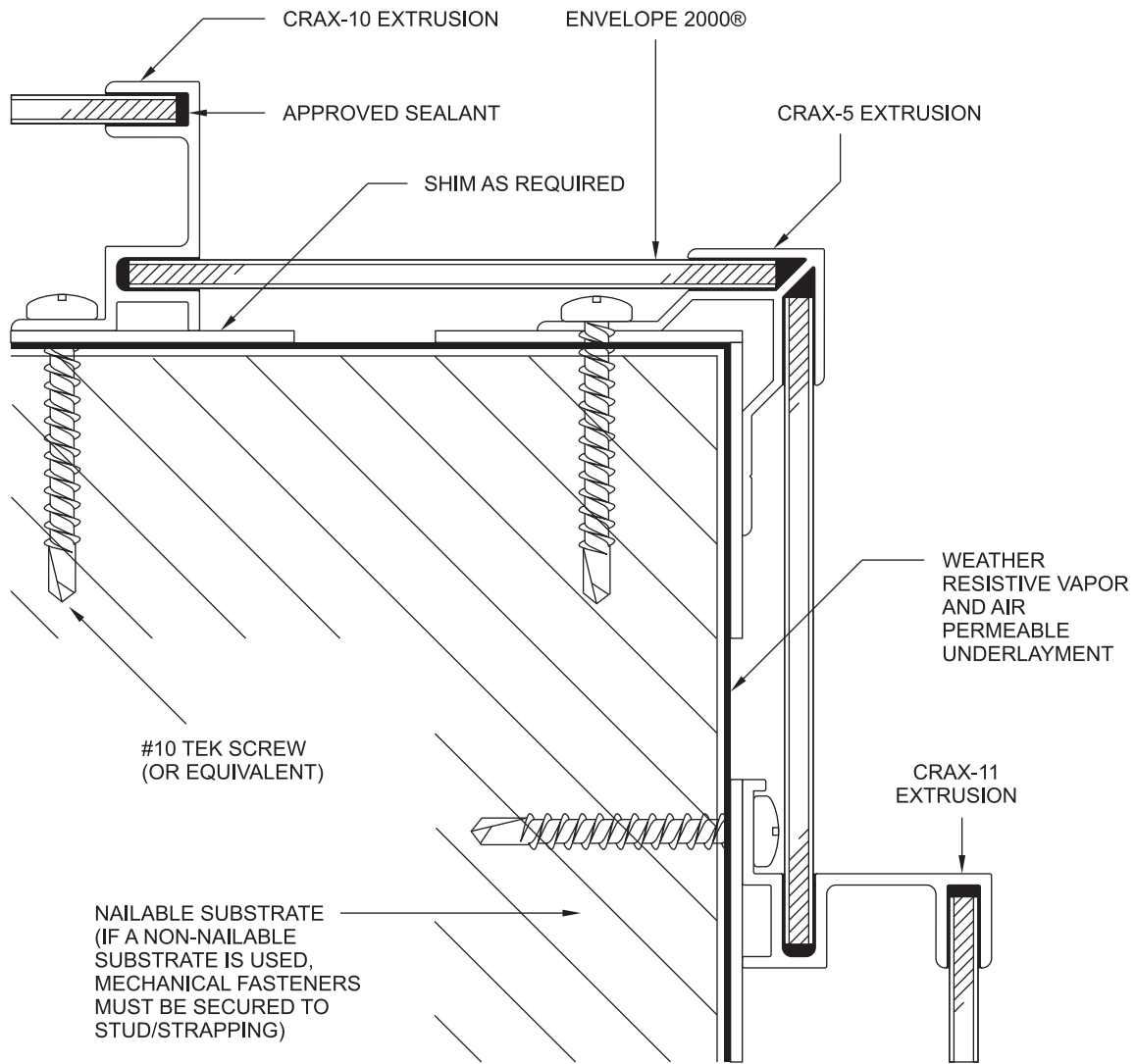
13A OUTSIDE CORNER, OPTION 1

DRAWING NAME: E2K D-RV.dwg			NOTE: This detail represents the latest recommendations from Citadel Architectural Products, Inc.. It is presented in good faith and is subject to change without notice. Citadel Architectural Products, Inc. accepts no responsibility for the end use of this detail. For conditions not shown, consult our Technical Staff at (800) 446-8828 for review of specific details.
SYSTEM: Deep Reveal (D-RV)	REVISED: 03/10	SCALE: 1:1	



13B OUTSIDE CORNER, OPTION 2

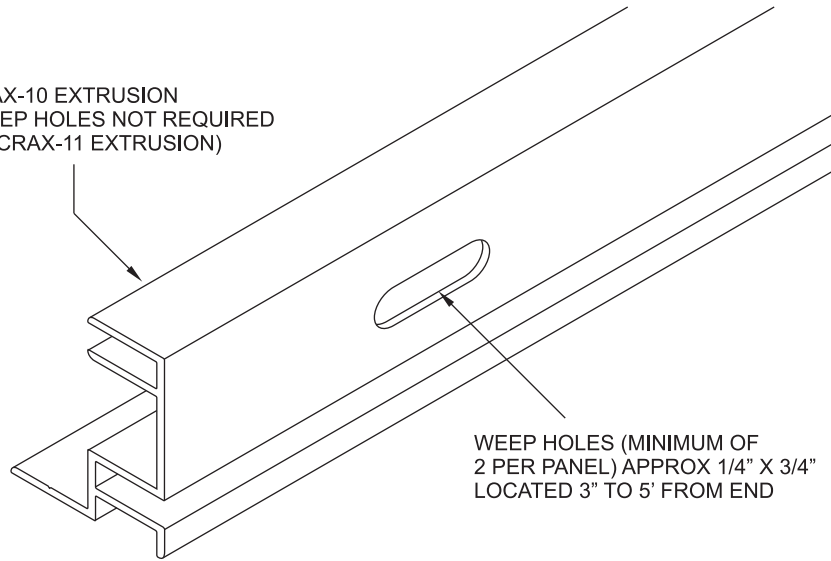
<p>NOTE: This detail represents the latest recommendations from Citadel Architectural Products, Inc.. It is presented in good faith and is subject to change without notice. Citadel Architectural Products, Inc. accepts no responsibility for the end use of this detail. For conditions not shown, consult our Technical Staff at (800) 446-8828 for review of specific details.</p>	<p>DRAWING NAME: E2K D-RV.dwg</p>		
	<p>REVISED: 03/10</p>	<p>SCALE: 1:1</p>	<p>SYSTEM: Deep Reveal (D-RV)</p>



13C OUTSIDE CORNER, OPTION 3

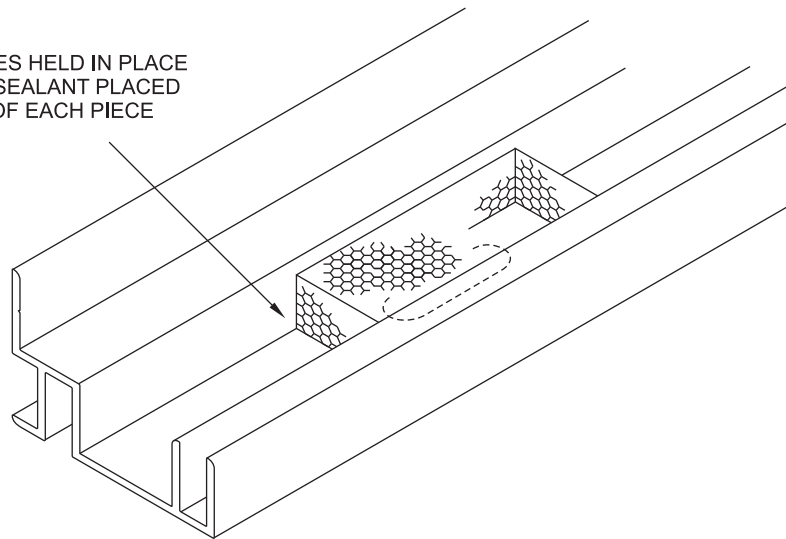
DRAWING NAME: E2K D-RV.dwg			NOTE: This detail represents the latest recommendations from Citadel Architectural Products, Inc.. It is presented in good faith and is subject to change without notice. Citadel Architectural Products, Inc. accepts no responsibility for the end use of this detail. For conditions not shown, consult our Technical Staff at (800) 446-8828 for review of specific details.
SYSTEM: Deep Reveal (D-RV)	REVISED: 03/10	SCALE: 1:1	

CRAX-10 EXTRUSION
(WEEP HOLES NOT REQUIRED
ON CRAX-11 EXTRUSION)



WEEP HOLES (MINIMUM OF
2 PER PANEL) APPROX 1/4" X 3/4"
LOCATED 3" TO 5' FROM END

WEEP BAFFLES HELD IN PLACE
BY DABS OF SEALANT PLACED
AT THE END OF EACH PIECE



14 WEEP HOLE LAYOUT

NOTE: This detail represents the latest recommendations from Citadel Architectural Products, Inc.. It is presented in good faith and is subject to change without notice. Citadel Architectural Products, Inc. accepts no responsibility for the end use of this detail. For conditions not shown, consult our Technical Staff at (800) 446-8828 for review of specific details.

DRAWING NAME:
E2K D-RV.dwg

REVISED:
03/10

SCALE:
1:1

SYSTEM:
Deep Reveal (D-RV)