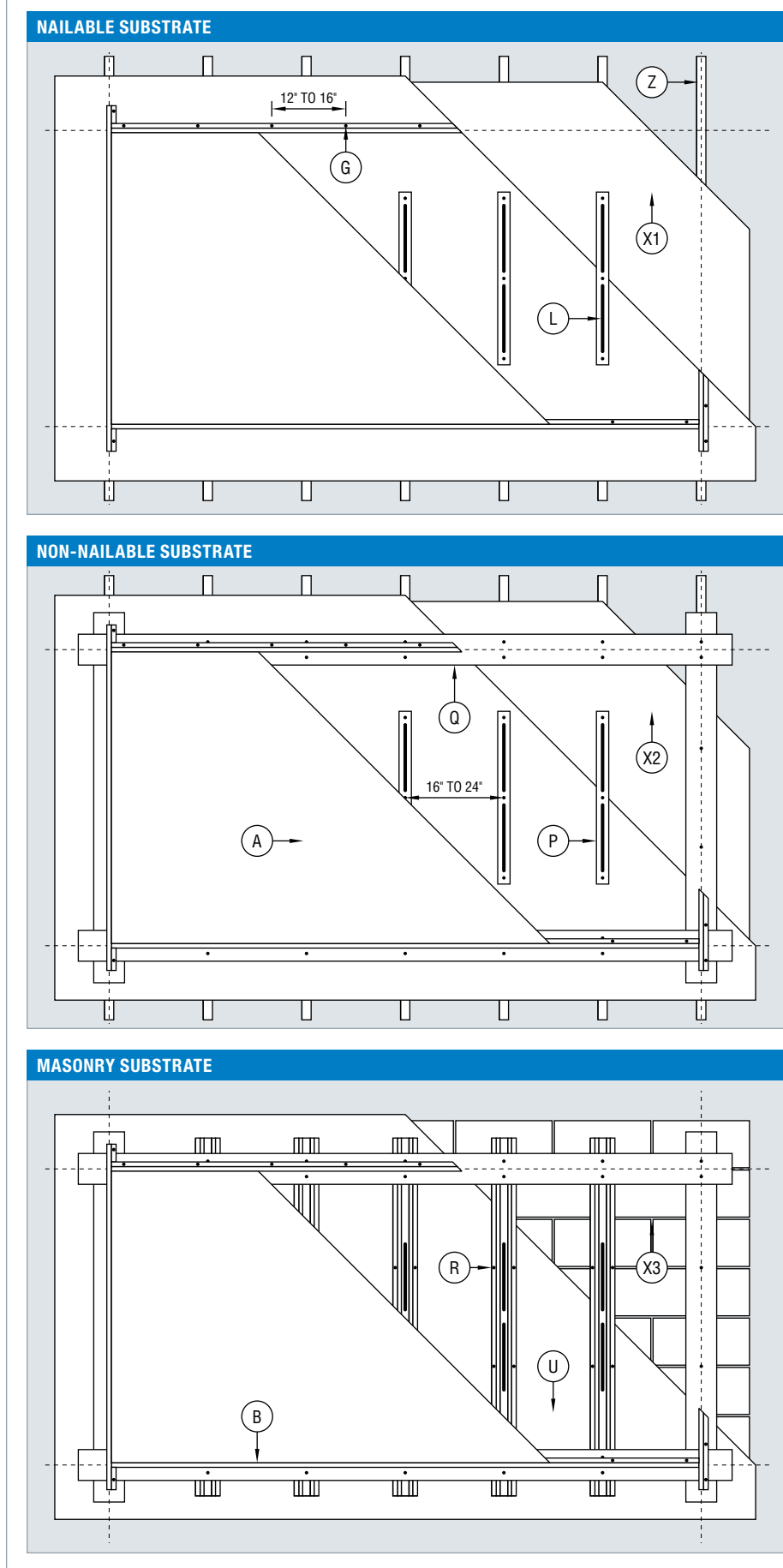


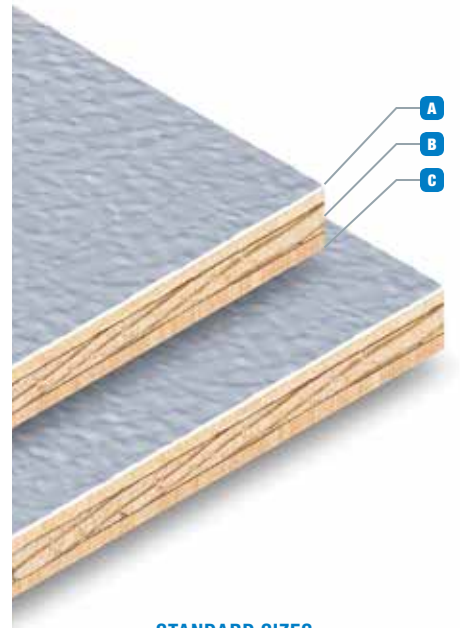
SUBSTRATE LAYOUT



COMPONENTS

- A** Panel 15[®]
- B** One Piece Molding
- G** Fastener
As selected by contractor to suit project requirements.
 - panel - secured by sealant/adhesive
 - molding - 12" to 16" along length
- L** Construction Adhesive
An approved adhesive must be used. Contact Citadel for current list.
 - located 16" to 24" o.c.
 - 3/8" bead x 2/3 panel height
 - for panels 36" x 36" or larger
- P** Field Strapping
 - located 16" to 24" o.c.
 - 1-1/2" (min) x 2/3 panel height
 - 22ga (min) recommended
 - fastened 12" to 16" along length
- Q** Grid Strapping
 - 16ga (min) recommended
 - fastened 12" to 16" along length
- R** Furring
 - metal (hat channels, z-girts) or wood
 - located 16" to 24" o.c.
 - fastened 12" to 16" along length
- S** Shim (not shown)
 - plastic shims recommended
 - flatness tolerance is 1/4" in 20'-0"
- U** Air/Moisture Barrier
Recommended for this system.
- X1** Nailable Substrate
 - plywood - 1/2" (min) recommended
 - OSB - 1/2" (min) recommended
- X2** Non-Nailable Substrate
 - exterior gypsum board
- X3** Masonry Substrate
 - CMU (block)
 - pre-formed concrete
- Z** Stud Framework
 - metal or wood
 - located 16" to 24" o.c.

NOTE: Combine both SECTION and SUBSTRATE drawings for a complete listing of components.



STANDARD SIZES

48" x 96"	(121.9cm x 243.8cm)
48" x 120"	(121.9cm x 304.8cm)
48" x 144"	(121.9cm x 365.8cm)
60" x 96"	(152.4cm x 243.8cm)
60" x 120"	(152.4cm x 304.8cm)

Cut-to-size panels are available in any increment up to 60" x 120".

WARRANTY
 Panel Composition: 5 years
 Polyester Finishes: 5 years

RECYCLED CONTENT (BY WEIGHT)
 Post-Consumer: 0.4%
 Post-Industrial: 5.0%

PANEL 15[®] ONE PIECE MOLDING SYSTEM

MATERIAL PROPERTIES		
Component	Standard (in)	Metric (mm)
A Prefinished Textured Aluminum ¹	.010"	0.25mm
B Douglas Fir Plywood	5/16"	7.94mm
C Fiberglass Reinforced Foil	.008"	0.20mm

PANEL PROPERTIES		
Property	Standard (in)	Metric (mm)
Panel Weight	1.01 lbs/ft ²	4.93 kg/m ²
Nominal Thickness	5/16"	7mm
Thickness Tolerance	±1/32"	±0.79mm
Length & Width Tolerance	+0, -1/8"	+0, -3.18mm
Squareness	1/64" per lineal ft	
Flatness	slight camber from factory, flat once installed	

FINISH PROPERTIES		
Finish	Type	Coating
Textured Polyester	1-coat	0.80 mil color

PANEL PERFORMANCE			
Property	Test	Value	Unit
Flame Spread	ASTM E84	Class A	---

¹ - Prefinished aluminum skins are furnished with a PVC film for protection during shipment and installation.



PANEL 15[®] ONE PIECE MOLDING SYSTEM



Economical Durability In An Easy-To-Install System

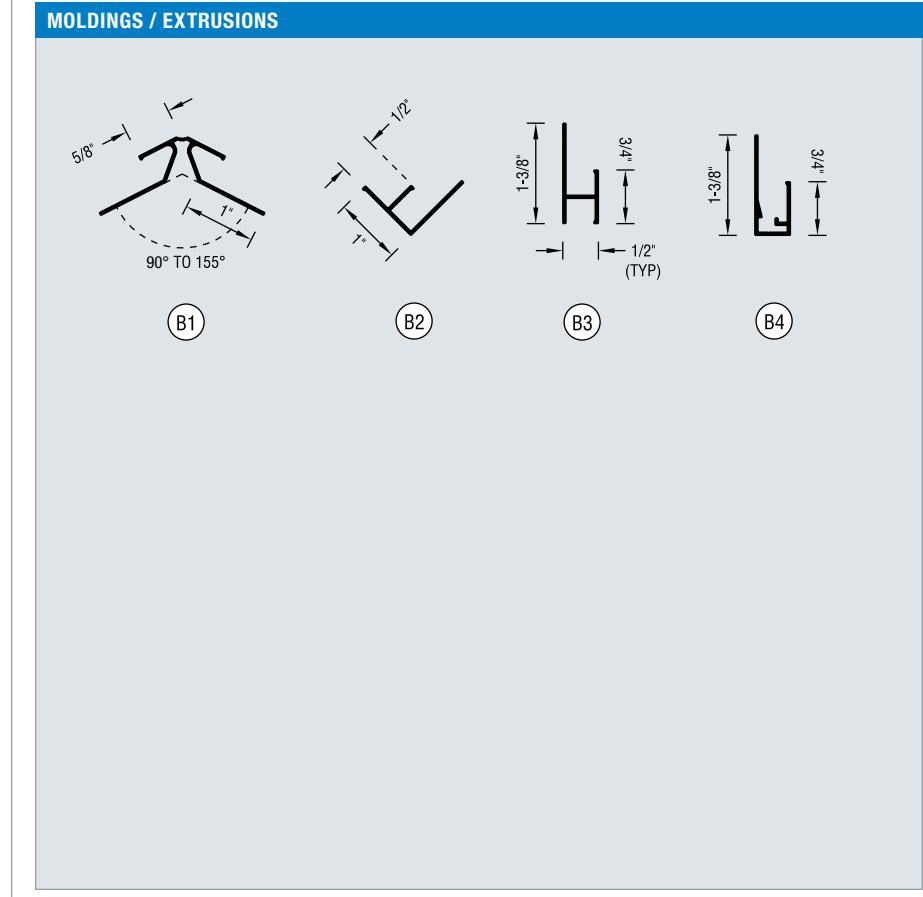
TECHNICAL MANUAL

- System Assembly
- Substrate Layouts
- CAD Sections/Details
- Physical Properties
- Performance Properties

SYSTEM ASSEMBLY



BATTEN PROFILES



PROPERTIES

B1 PA-8X Outside Corner	10'-0", 2.40 lbs
B2 PA-9X Inside Corner	10'-0", 1.20 lbs
B3 PA-12X Horizontal/Vertical	10'-0", 1.35 lbs
B4 PA-15BX Perimeter J	10'-0", 1.50 lbs

Citadel Architectural Products, Inc.
 3131-A North Franklin Road
 Indianapolis, Indiana 46226
 phone (317) 894-9400 • (800) 446-8828
 fax (317) 894-6333 • (800) 247-2635
www.citadelap.com • info@citadelap.com

©2014 Citadel Architectural Products, Inc. All Rights Reserved.
 Panel 15[®] is a registered trademark of Citadel Architectural Products, Inc.
 Printed In The U.S.A. 08/14

LAYOUT AND INSTALLATION

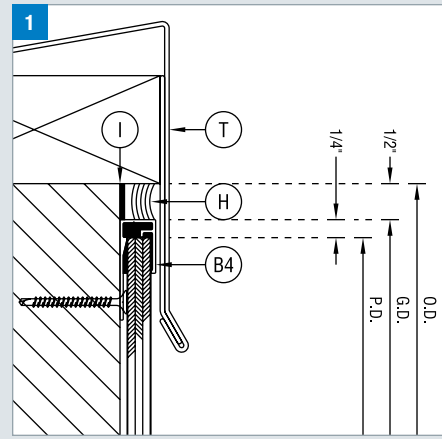
DESCRIPTION

- Field Assembled** - all panels and moldings are shipped directly to the jobsite and are cut-to-size in the field, saving significant time and money
- Barrier Wall** - designed to be completely sealed against moisture intrusion to protect the structural wall assembly of the building
- Progressive** - each step of the installation process builds off the previous step in a sequential manner, moving up and across the elevation
- Joints** - one piece aluminum moldings capture the panel edges and may be color matched or painted a complimentary color

Comparative Installed Cost

\$\$\$ (compared to other Citadel systems) \$\$\$

Lead Time: 15 working days
Minimum Qty: none
System Depth: 1/2" from the face of the substrate to the face of the molding

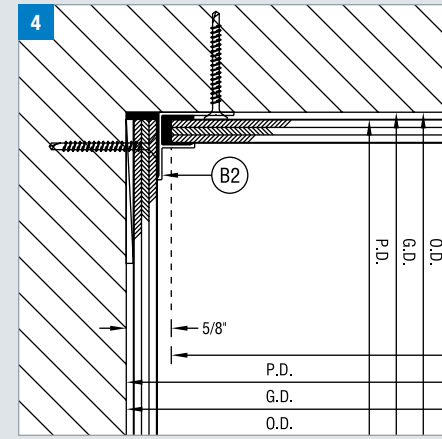
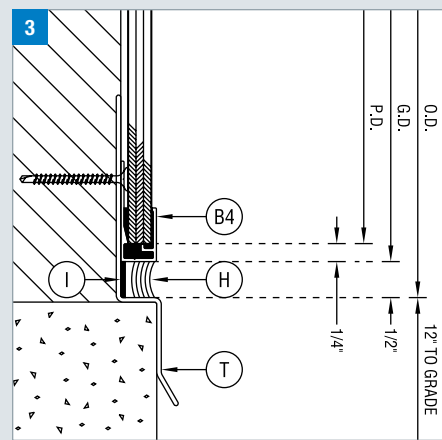


HORIZONTAL SECTIONS

1: Parapet
 Metal flashing secured over blocking completes the vertical run and prevents moisture from getting behind the cladding system. This molding may be applied using sealant and adhesive (or face fastened if hidden by the flashing).

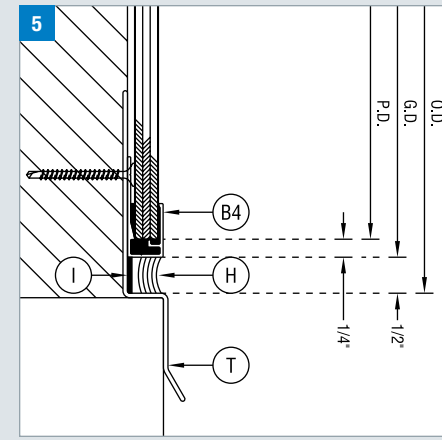
2: Horizontal
 Sealant is applied into the molding channel and slid over the top of the mounted panel. More sealant is then applied into the top channel of the molding and fasteners are then placed in the top leg of the extrusion.

3: Base/Foundation
 Installation typically begins at the base of the wall and moves vertically. The cladding should be kept approximately 12" away from landscaping grade. However, if the system is installed adjacent to a concrete sidewalk, that dimension may be reduced to 1/2".



INSIDE CORNER

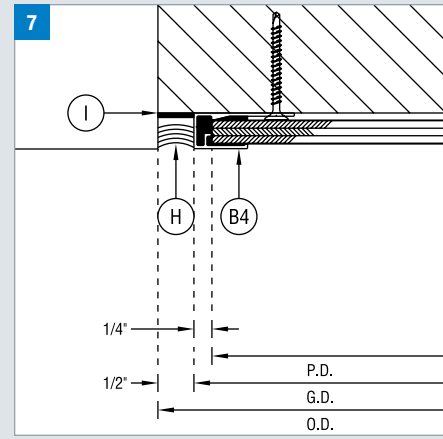
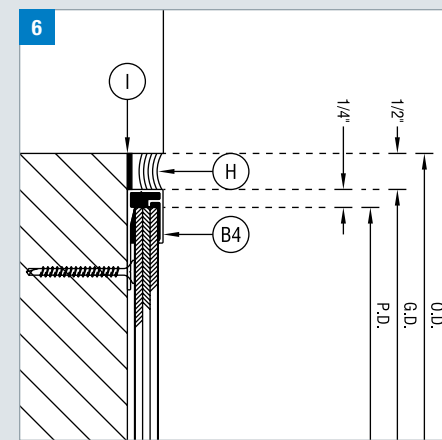
4: Inside Corner
 The lead panel is shimmed to the proper plane and then secured to the substrate. Then the molding is applied to the face and mechanically fastened to the opposite wall. Sealant is then applied and the panel is slid into position. This condition is applicable for soffit to wall transitions.



WINDOW HEAD & SILL

5: Head
 Similar to the base condition, flashing should be used behind the system to direct water away and prevent moisture intrusion.

6: Sill
 Depending upon visual preference, windows will either extend past the face of the panel or be aligned so that they sit flush. If this is the last panel in the sequence, molding is held in place with sealant and adhesive.

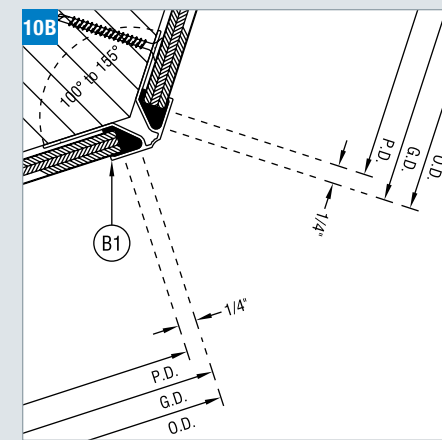
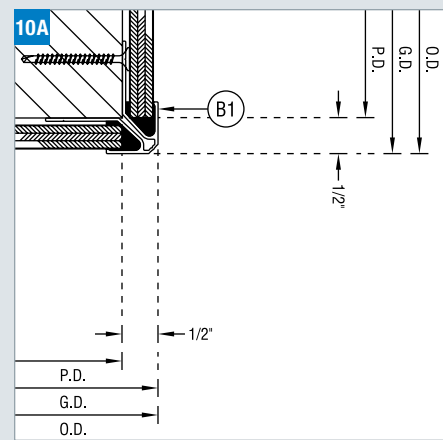
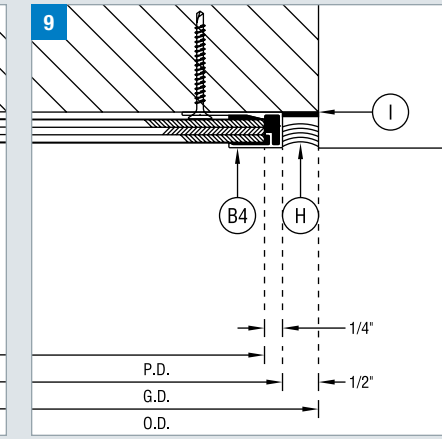
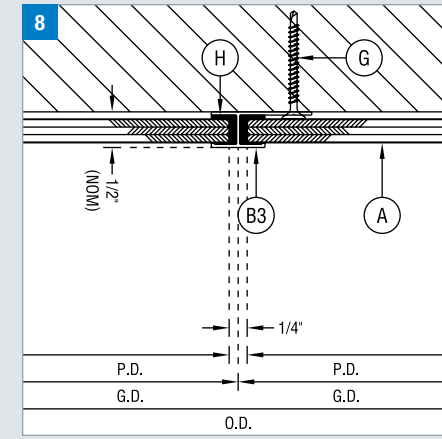


VERTICAL SECTIONS

7: Jamb - Start
 Installation moves left to right (or right to left) across the elevation. When abutting dissimilar material, a sealant joint should be used to prevent moisture intrusion behind the cladding system.

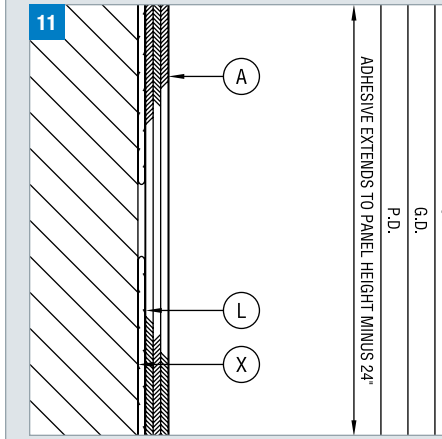
8: Vertical
 Same condition as the horizontal, the fastener is placed on the leading edge.

9: Jamb - End
 The last molding in the sequence will be held in place with visible fasteners (not shown) or held in place with sealant and adhesive.



OUTSIDE CORNER

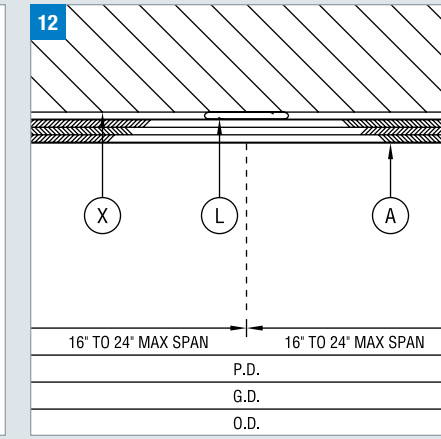
10A & 10B: Outside Corner
 The standard molding is designed to accommodate various corner angles. During installation, the molding is bent by hand to reach the correct angle for standard 90° corners. The molding can also be adjusted outward to fit corners up to 155°. This condition is also applicable for fascia to soffit transitions.



INTERMEDIATE CONNECTION

11: Intermediate Connection - Horz
 Construction adhesive secures the field of the panel at intermediate locations. The length of this bead should extend to cover a majority of the panel.

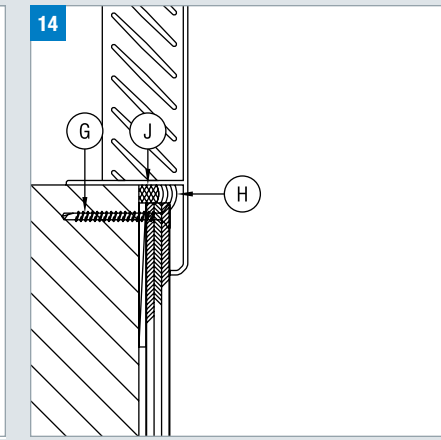
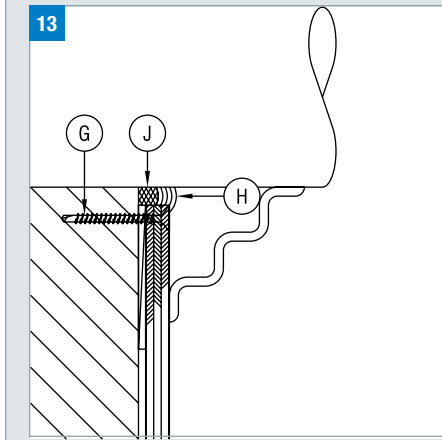
12: Intermediate Connection - Vert
 The spacing of the adhesive may be dependent upon the type of substrate chosen for the application.



SYSTEM PENETRATIONS

13: Round
 When piping or other round penetrations must occur, the hole should be made slightly larger to accommodate a backer rod (when possible) and sealant joint around the object.

14: Linear (Square or Rectangular)
 Moldings should be used to trim the panel edge for all linear penetrations. However, if that is not possible, a proper sealant joint should be utilized to maintain system integrity.



COMPONENTS

- A** Panel 15°
- B1** PA-8X Outside Corner
- B2** PA-9X Inside Corner
- B3** PA-12X Horizontal/Vertical
- B4** PA-15BX Perimeter J
- G** Fastener
 As selected by contractor to suit project requirements.
 - panel - secured by sealant/adhesive
 - molding - 12" to 16" along length
- H** Silicone Sealant
 An approved sealant must be used. Contact Citadel for current list.
- I** Bond Breaker Tape
- J** Foam Backer Rod
- L** Construction Adhesive
 An approved adhesive must be used. Contact Citadel for current list.
 - located 16" to 24" o.c.
 - 3/8" bead x 2/3 panel height
 - for panels 36" x 36" or larger
- T** Flashing
- X** Substrate
 As selected by architect to suit project requirements.

NOTE: Combine both SECTION and SUBSTRATE drawings for a complete listing of components.